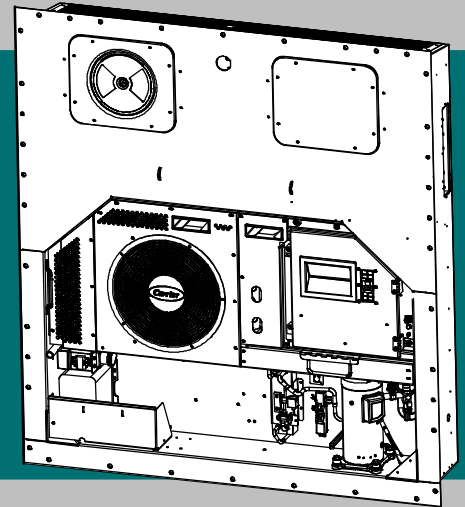
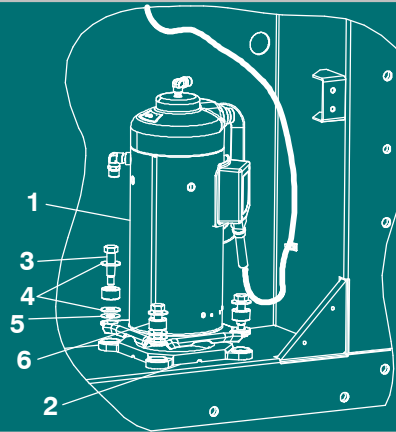
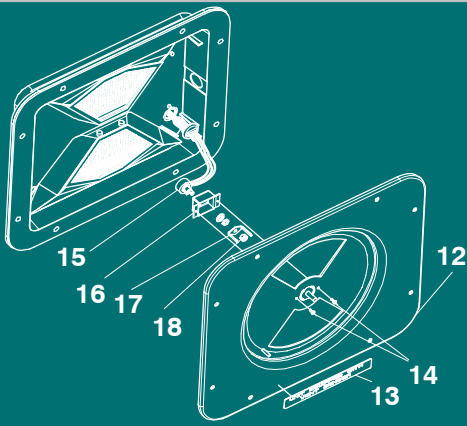




Container Refrigeration



SERVICE PARTS LIST

For

69NT40-561-200 to 299

Container Refrigeration Units



SERVICE PARTS LIST CONTAINER REFRIGERATION UNIT

**Model
69NT40-561-200 to 299**

TABLE OF CONTENTS

PARAGRAPH NUMBER	Page
INTRODUCTION	i
CONFIGURATION IDENTIFICATION	i
FEATURE DESCRIPTIONS	i
OPTION DESCRIPTIONS	i
ORDERING INSTRUCTIONS	iii
LETTER DESIGNATIONS	iii
1.1 REFRIGERATION UNIT – AREA LOCATOR	2
1.2 AIR EXCHANGE KIT, LOWER, NONE, HANDLE	4
1.3 UPPER FRESH AIR – VPS Panel	6
1.4 UPPER FRESH AIR – Blank Panel	8
1.5 BACK PANEL KIT	10
1.6 BOX PREP KIT	12
1.7 BULKHEAD PENETRATION – UPPER AIR EXCHANGE	14
1.8 CABLE ASSEMBLY	16
1.9 CABLE KIT	18
1.10 CABLE RESTRAINT COMPONENTS	20
1.11 COMPRESSOR ASSEMBLY	21
1.12 COMPRESSOR TUBING	22
1.13 CONDENSER KIT, COIL & COVERS	24
1.14 CONDENSER FAN KIT	30
1.15 CONTROLLER KIT	32
1.16 CONTROLLER MODULE SECTION AND SOFTWARE CARDS	36
1.17 CONTROLLER DOOR KIT, LATCH	38
1.18 DRAIN KIT	42
1.19 AUTOTRANSFORMER	43
1.20 HEATER KIT	47
1.21 EVAPORATOR FAN AND MOTOR KIT	48
1.22 EVAPORATOR TUBING AND COIL	50
1.23 FRAME KIT	52
1.24 HUMIDISTAT KIT	55
1.25 INTERROGATE KIT	56
1.26 LABEL KIT	57
1.27 PANEL KIT	58
1.28 RMU KIT	59
1.29 USDA	60
1.30 VACUUM RELIEF VALVE	61
1.31 WIRING KIT	62
1.32 WIRING ASSEMBLY	66
1.33 HARNESS – LOW VOLTAGE	68
2 INTERROGATOR ACCESSORIES	70
3 TOOLS	72

INTRODUCTION

1 INTRODUCTION

The Carrier Transicold model 69NT40-561-200 – 299 series units are of lightweight aluminum frame construction, designed to fit in the front of a container and serve as the container's front wall.

They are one piece, self-contained, all electric units, which include cooling and heating systems to provide precise temperature control.

The units are supplied with a complete charge of refrigerant R-134a and compressor lubricating oil, and are ready for operation upon installation. Forklift pockets are provided for unit installation and removal.

The base unit operates on nominal 380/460 volt, 3-phase, 50/60 hertz (Hz) power. An optional autotransformer may be fitted to allow operation on nominal 190/230, 3-phase, 50/60 Hz power. Control system power is provided by a transformer which steps the supply power down to 18 and 24 volts, single phase.

The controller is a Carrier Transicold Micro-Link 3 microprocessor. The controller operates automatically to select cooling, holding or heating as required to maintain the desired set point temperature within very close limits. The unit may also be equipped with an electronic temperature recorder.

The controller has a keypad and display for viewing or changing operating parameters. The display is also equipped with lights to indicate various modes of operation.

2 CONFIGURATION IDENTIFICATION

Unit identification information is provided on a plate located to the left of the receiver or water-cooled condenser, on the back wall of the condenser section. The plate provides the unit model number, the unit serial number and the unit parts identification number (PID). The model number identifies the overall unit configuration, while the PID number provides information on specific optional equipment, factory provisioned to allow for field installation of optional equipment and differences in detailed parts.

3 FEATURE DESCRIPTIONS

3.1 Control Box

Units are equipped with an aluminum control box, and may be fitted with a lockable door.

3.2 Temperature Readout

The unit is fitted with suction and discharge temperature sensors. The sensor readings may be viewed on the controller display.

3.3 Pressure Readout

The unit is fitted with evaporator, suction, and discharge pressure transducers. The transducer readings may be viewed on the controller display.

3.4 Compressor

The unit is fitted with a scroll compressor equipped with suction and discharge service connections.

3.5 Condenser Coil

The unit is fitted with a two-row square formed condenser coil using 7mm tubing.

3.6 Evaporator

The evaporator section is equipped with an electronic expansion valve (EEV).

3.7 Evaporator Fan Operation

Units are equipped with three-phase evaporator fan motors. Opening of an evaporator fan internal protector will shut down the unit.

3.8 Plate Set

Each unit is equipped with a tethered set of wiring schematics and wiring diagram plates. The plate sets are ordered using a seven-digit base part number and a two-digit dash number.

4 OPTION DESCRIPTIONS

Various options may be factory or field equipped to the base unit. These options are described in the following sub-paragraphs.

4.1 Battery

The refrigeration controller may be fitted with standard replaceable batteries or a rechargeable battery pack. Rechargeable battery packs may be fitted in the standard location or in a secure location.

4.2 Dehumidification

The unit may be fitted with a humidity sensor. This sensor allows setting of a humidity set point in the controller. In dehumidification mode, the controller will operate to reduce internal container moisture level.

4.3 USDA

The unit may be supplied with fittings for additional temperature probes, which allow recording of USDA Cold Treatment data by the integral DataCORDER function of the Micro-Link refrigeration controller.

4.4 Interrogator

Units that use the DataCORDER function are fitted with interrogator receptacles for connection of equipment to download the recorded data. Two receptacles may be fitted; one is accessible from the front of the container and the other is mounted inside the container (with the USDA receptacles).

4.5 Remote Monitoring

The unit may be fitted with a remote monitoring receptacle. This item allows connection of remote indicators for COOL, DEFROST and IN RANGE. Unless otherwise indicated, the receptacle is mounted at the control box location.

INTRODUCTION – Continued

4.6 Communications Interface Module

The unit may be fitted with a communications interface module. The communications interface module is a slave module, which allows communication with a master central monitoring station. The module will respond to communication and return information over the main power line. Refer to the ship master system technical manual for further information.

4.7 Autotransformer

An autotransformer may be provided to allow operation on 190/230, 3-phase, 50/60 Hz power. The autotransformer raises the supply voltage to the nominal 380/460 volt power required by the base unit. The autotransformer may also be fitted with an individual circuit breaker for the 230 volt power.

If the unit is equipped with an autotransformer and communications module, the autotransformer will be fitted with a transformer bridge unit (TBU) to assist in communications.

4.8 Gutters

Rain gutters may be fitted over the control box and recorder section to divert rain away from the controls.

4.9 Handles

The unit may be equipped with handles to facilitate access to stacked containers. These fixed handles are located on either side of the unit.

4.10 Thermometer Port

The unit may be fitted with ports in the front of the frame for insertion of a thermometer to measure supply and/or return air temperature. If fitted, the port(s) will require a cap and chain.

4.11 Water Cooling

The refrigeration system may be provisioned for a water-cooled condenser.

4.12 Back Panels

Aluminum back panels may have access doors and/or hinge mounting.

4.13 460 Volt Cable

Various power cable and plug designs are available for the main 460 volt supply. The plug options tailor the cables to each customer's requirements.

4.14 230 Volt Cable

Units equipped with an autotransformer require an additional power cable for connection to the 230 volt source. Various power cable and plug designs are available. The plug options tailor the cables to each customer's requirements.

4.15 Cable Restraint

Various designs are available for storage of the power cables. These options are variations of the compressor section cable guard.

4.16 Upper Air (Fresh Air Make Up)

The unit may be fitted with an upper fresh air makeup assembly. The fresh air makeup assembly is available with a vent positioning sensor (VPS) and may also be fitted with screens.

4.17 Lower Air (Fresh Air Make Up)

The unit may be fitted with a lower fresh air makeup assembly. The fresh air makeup assembly is available with a vent positioning sensor (VPS) and may also be fitted with screens.

4.18 Labels

Safety Instruction and Function Code listing labels differ, depending on the options installed. Labels available with additional languages are listed in the parts list.

4.19 Controller

Two replacement controllers are available:

1. Remanufactured – Controller is the equivalent of a new OEM controller and is supplied with a 12-month warranty.
2. Repaired – Controller has had previous faults repaired and upgraded with the latest software.

Note: Repaired controllers are NOT to be used for warranty repairs; only full OEM Remanufactured controllers are to be used.

Controllers will be factory-equipped with the latest version of operational software, but will NOT be configured for a specific model number and will need to be configured at the time of installation or sale.

4.20 Condenser Grille

Condenser grilles are direct bolted.

4.21 Emergency Bypass

The optional Emergency Bypass switch (EB) functions to bypass the controller in the event of controller failure.

4.22 eAutoFresh

The optional eAutoFresh venting system moderates the atmospheric level inside the container unit in response to cargo respiration.

4.23 Controlled Atmosphere

Units may be fitted with the TransFresh option.

For information on the TransFresh system, contact TransFresh Corporation, P.O. Box 1788, Salinas, CA 93902.

INTRODUCTION – Continued

5 ORDERING INSTRUCTIONS

All orders and inquiries for parts must include: Parts Identification Number (**PID**), Model Number, Unit Serial Number, Part Number, description of part as shown on list, and quantity required. Address all correspondence for parts to the following address:

CARRIER TRANSICOLD DIVISION
Replacement Components Group, TR-20
P.O. Box 4805, Syracuse, New York 13221
or FAX to: (315) 432-3778

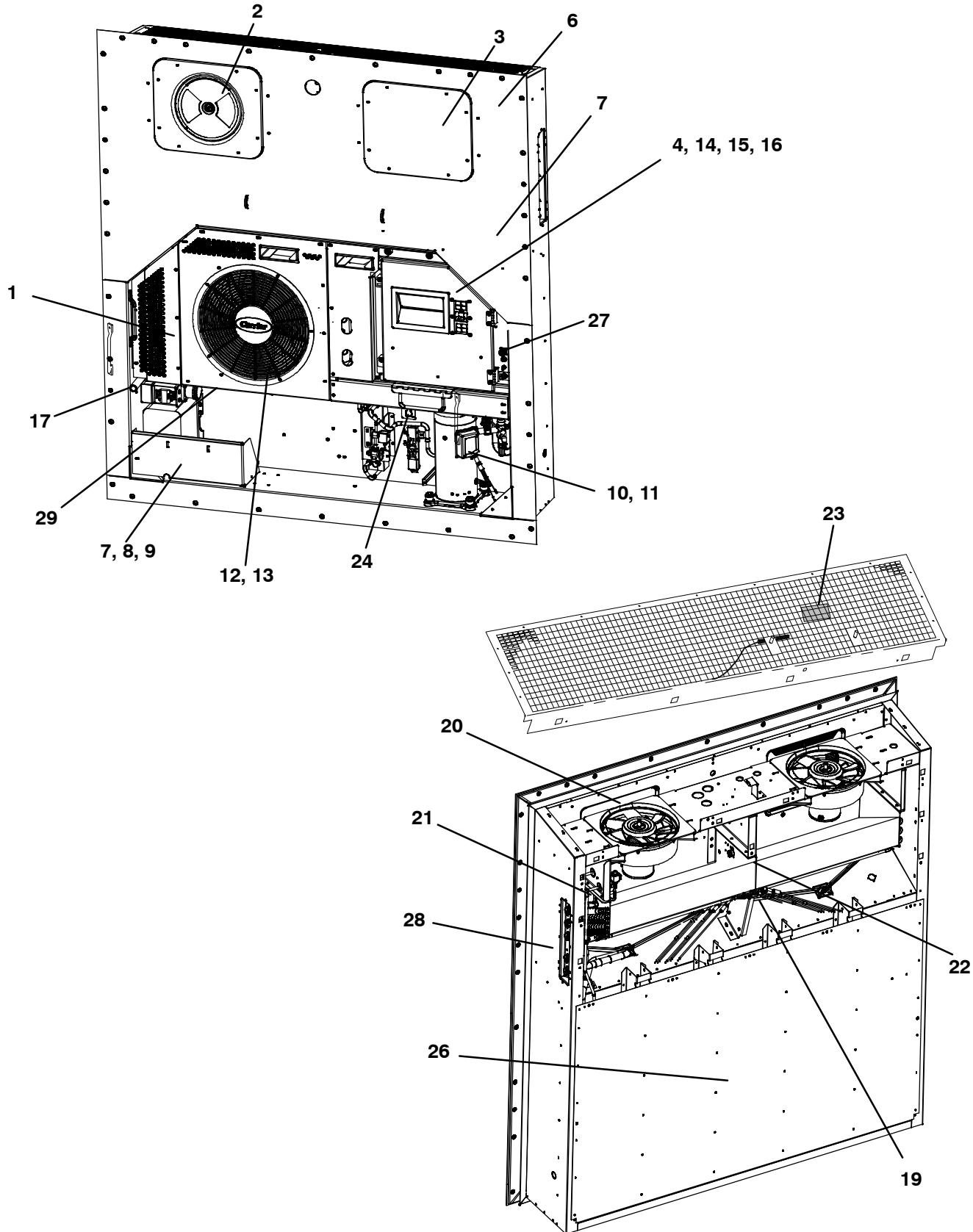
6 LETTER DESIGNATIONS

The following letter designations are used to classify parts throughout this list:

- A/R = *As Required*
- N/A = *Not Available*
- NS = *Not Shown* in illustration
- NSS = *Not Sold Separately* - order next higher assembly or kit
- PID = *Parts Identification Number* - essential to identify unit configuration.
- PL = *Purchase Locally*
- SST = *Stainless Steel* - 300 Series unless otherwise specified.
- SV = Suffix *SV* - added to part number designates service replacement part.

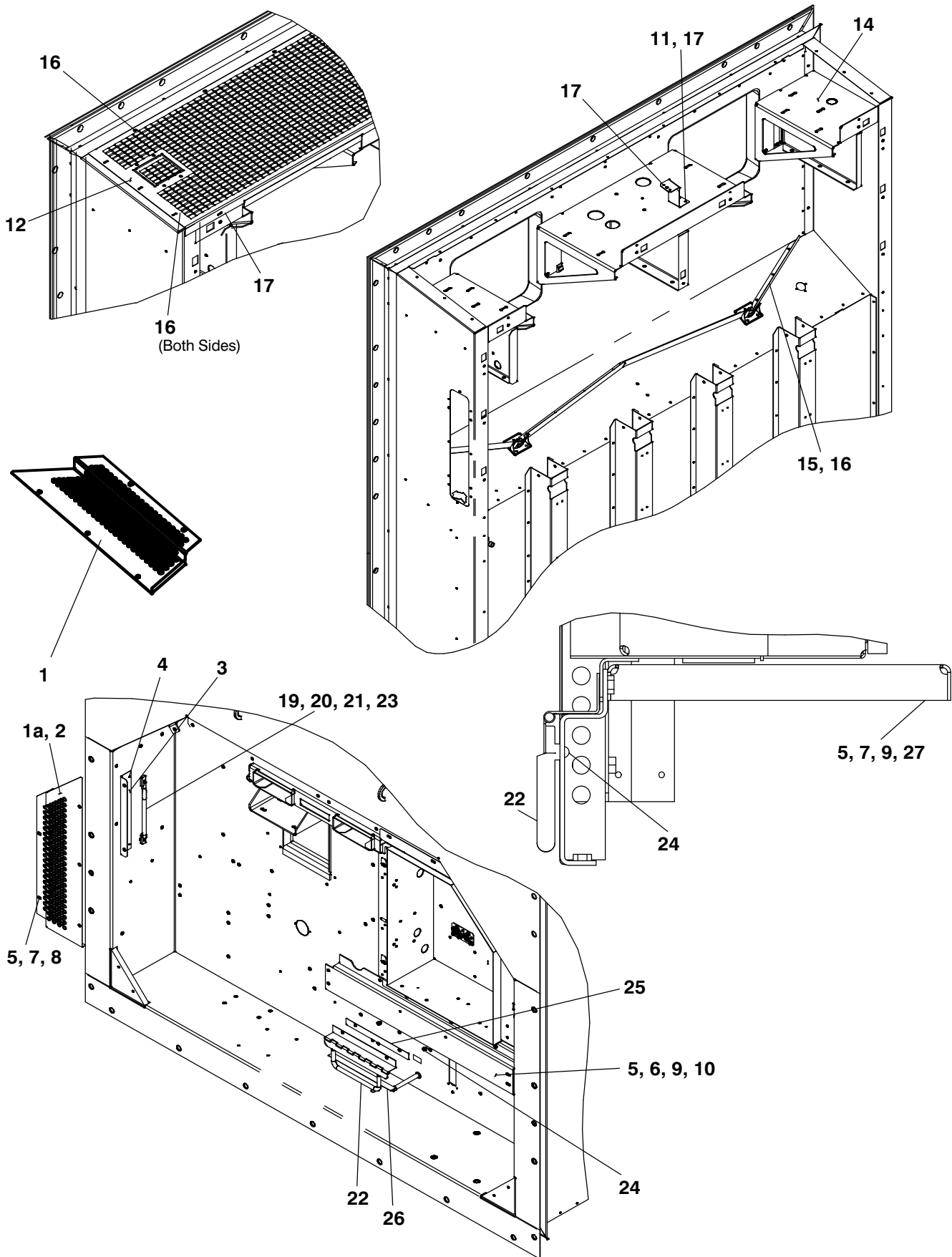
1 REFRIGERATION UNIT ASSEMBLY

1.1 REFRIGERATION UNIT - AREA LOCATOR



1.1 REFRIGERATION UNIT – AREA LOCATOR (Continued)		
Item	Section Number	Area Description
1	Refer to Section 1.2	AIR EXCHANGE KIT, LOWER, NONE, HANDLE
2	Refer to Section 1.3	UPPER FRESH AIR – VPS Panel
3	Refer to Section 1.4	UPPER FRESH AIR – Blank Panel
4	Refer to Section 1.5	BACK PANEL KIT
5	Refer to Section 1.6	BOX PREP KIT
6	Refer to Section 1.7	BULKHEAD PENETRATION – UPPER AIR EXCHANGE
7	Refer to Section 1.8	CABLE ASSEMBLY
8	Refer to Section 1.9	CABLE KIT
9	Refer to Section 1.10	CABLE RESTRAINT COMPONENTS
10	Refer to Section 1.11	COMPRESSOR ASSEMBLY
11	Refer to Section 1.12	COMPRESSOR TUBING
12	Refer to Section 1.13	CONDENSER KIT, COIL & COVERS
		CONDENSER KIT, RECIEVER, HEAT EXCHANGER
		CONDENSER KIT, ECONOMIZER SECTION
13	Refer to Section 1.14	CONDENSER FAN KIT
14	Refer to Section 1.15	CONTROLLER KIT
15	Refer to Section 1.16	CONTROLLER MODULE SECTION AND SOFTWARE CARDS
16	Refer to Section 1.17	CONTROLLER DOOR KIT
17	Refer to Section 1.18	DRAIN KIT
18	Refer to Section 1.19	AUTOTRANSFORMER
19	Refer to Section 1.20	HEATER KIT
20	Refer to Section 1.21	EVAPORATOR FAN AND MOTOR KIT
21	Refer to Section 1.22	EVAPORATOR TUBING AND COIL
22	Refer to Section 1.23	FRAME KIT
23	Refer to Section 1.24	HUMIDISTAT KIT
24	Refer to Section 1.25	INTERROGATE KIT
25	Refer to Section 1.26	LABEL KIT (not shown)
26	Refer to Section 1.27	PANEL KIT
27	Refer to Section 1.28	RMU KIT
28	Refer to Section 1.29	USDA
29	Refer to Section 1.30	VACUUM RELIEF VALVE
30	Refer to Section 1.31	WIRING KIT (not shown)
31	Refer to Section 1.32	WIRING ASSEMBLY (not shown)
32	Refer to Section 1.33	HARNESS – LOW VOLTAGE (not shown)
NS	Refer to Section 2.1	DataLine/Data Reader

1.2 AIR EXCHANGE KIT, LOWER, NONE, HANDLE

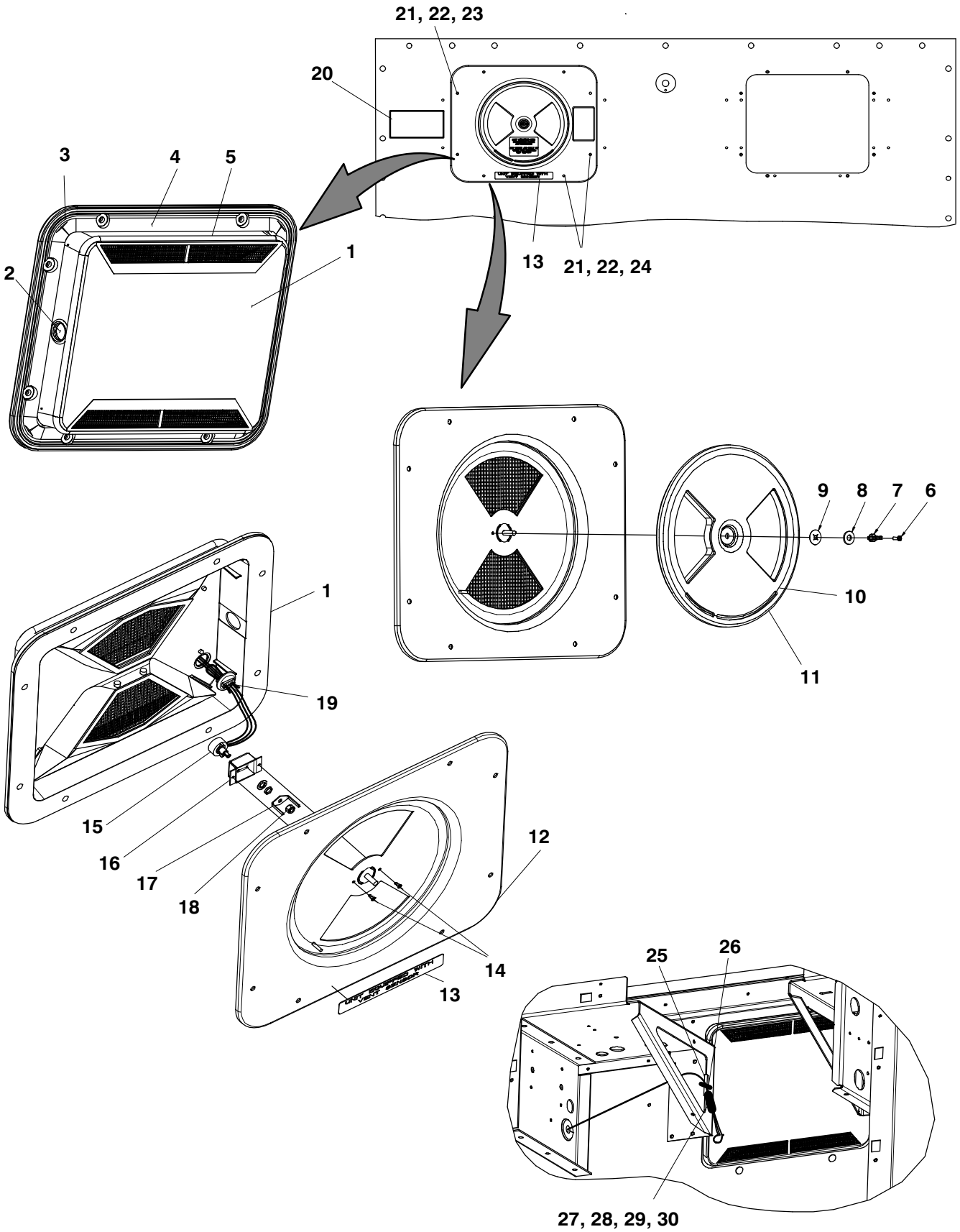


77-01677

1.2 AIR EXCHANGE KIT, LOWER, NONE, HANDLE (Continued)			
Item	Part Number	Description	Qty
1	68-17044-00	Panel Blue with handles	1
	68-17044-01	Panel White with handles	1
1a	68-17037-00	Panel Blue	1
	68-17037-01	Panel White	1
2	42-00065-01	Gasket (Same for both panels)	1
3	68-17118-00	Bracket	1
4	34-00928-20	Rivet, Blind	2
5	66U1-5361-25	Screw, Cap Hex Head 1/4-20 X 0.75	11
6	68-17129-02	Cover	1
7	34-06053-18	Washer, Retaining .250 ID X 1.000 OD	6
8	66U1-5321-3	Washer, Plain 1/4 N Type A	5
9	66U1-5321-7	Washer, Plain 1/4 W Type A	4
10	34-06053-00	Washer .250 ID X .800 OD	4
11	68-16521-00	Bracket	1
12	68-16695-00	Grille	1
13	68-17344-00	Panel	1
14	68-16697-00	Fan Deck	1
15	68-17188-00	Gutter	1
16	34-00928-07	Rivet, Blind	16
17	34-00928-09	Rivet, Blind	8
18	68-17200-00	Channel	1
19	69NT35-8113	Handle	1
20	34-00792-07	Screw, Cap Hex Head 5/16-18 X 0.88	2
21	66U1-5331	Washer, Lock 5/16 Spring	2
22	69NT40-657-4	Handle Assembly	1
23	34-06053-15	Washer	2
24	58-04480-00	Bumper, Rubber	2
25	58-04910-06	Protector	1
26	58-04910-07	Protector	1
27	86-05078-00	Bracket	1

77-01677-02

1.3 UPPER FRESH AIR – VPS Panel



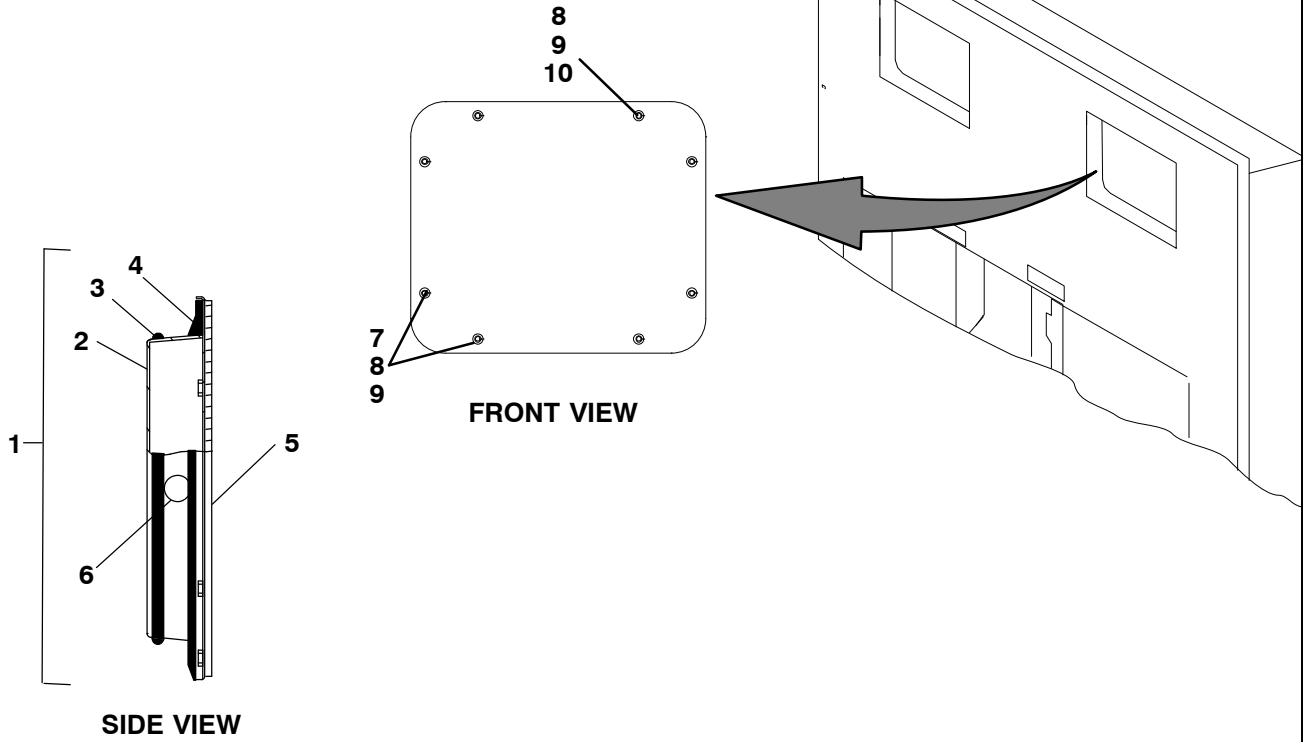
77-01658

1.3 UPPER FRESH AIR – VPS Panel (Continued)

Item	Part Number	Description	Qty
1	79-66626-00	Upper Air Panel Assembly, Access, White – Includes:	1
2	66U1-5562-2	Plug Button, 1.25 Inch Diameter Hole	1
3	68-12940-05	Cover, Top, Evaporator Access Panel, White	1
4	42-00296-01	Gasket, Evaporator Access Panel	1
5	42-00327-00	Gasket, 0.26 X 0.50 Half-Round	1
6	34-06185-01	Screw, Pan Head, #8-32 X 0.50 with Nylock	1
7	66U1-5362-2	Nut, Wing, 5/16-18, SST	1
8	66U1-5321-13	Washer, Plain 5/16 W Type A, SST	1
9	34-06053-19	Washer, Mylar 1.00 OD X 0.312 ID	1
10	42-00407-00	Gasket, 0.50 Fresh Air Disc	1
11	68-12933-07	Disc, 12.35 Inch Diameter, White	1
12	58-04376-05	Panel	1
13	62-10930-00	Label VPS	1
	76-66615-00	Upper VPS Sensor Replacement Includes:	1
14	34-00928-20	Rivet	2
	79-66703-00	Sensor Kit Includes:	2
15	12-00603-02	Sensor Rotary Position	2
16	68-14815-00	Bracket, Sensor .063 Thick Aluminum	2
17	68-14903-00	Plate	1
18	34-66622-05	Nut, Self Lock	2
NS	58-66646-00	Plate	2
19	22-66681-00	Wire Harness Resettable Fuse Assembly	2
20	62-66723-00	Label Fresh Air	1
21	34-06053-13	Washer, Mylar, 1/4 ID X 0.80 OD	8
22	34-06212-12	Washer, Flat, 1/4, SST	8
23	34-00655-08	Screw, Hex Head, 1/4-20 X 1.00 Inch Long	6
24	34-06154-00	Screw, Hex Head, 1/4-20 X 1.00 Inch Long – TIR	2
25	66CH1-1172-2	Trim, Flexible 2.00 Inches Long	1
26	58-00969-00	Wire Tie 2.80 Inch Diameter, Double Loop	1
27	22-01613-10	Plug, 4-Pin	1
28	22-01613-13	Contact, Socket #16	3
29	22-01613-11	Lock, 4-Pin – Secondary	1
30	22-01660-08	Plug, 0.12 Inch Diameter X 0.58	1

77-01658-33

1.4 UPPER FRESH AIR – Blank Panel

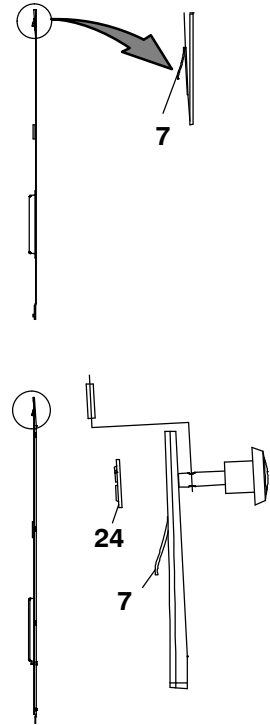
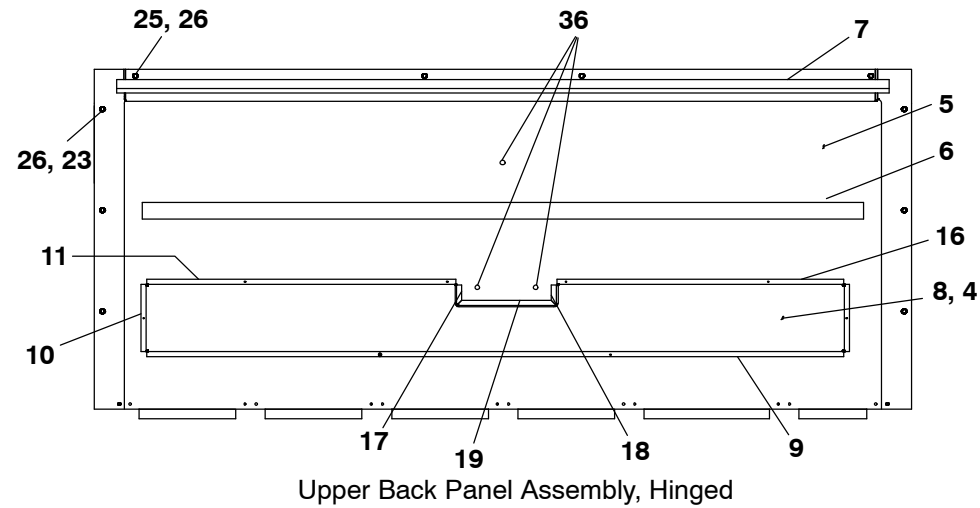
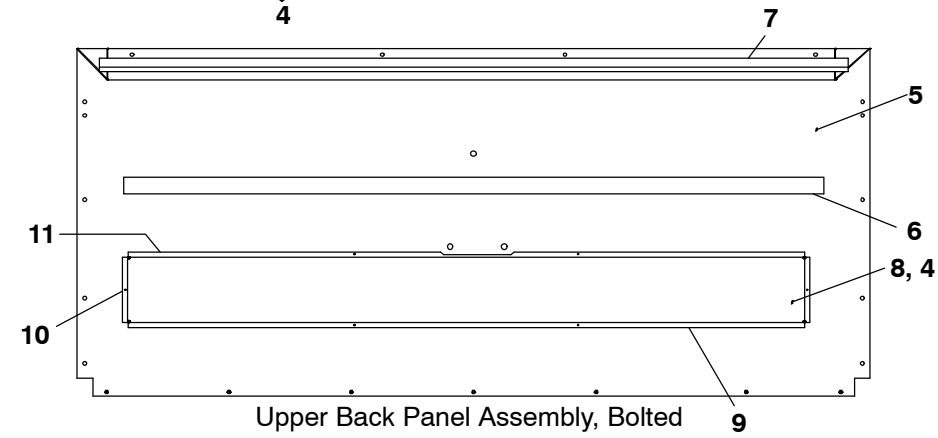
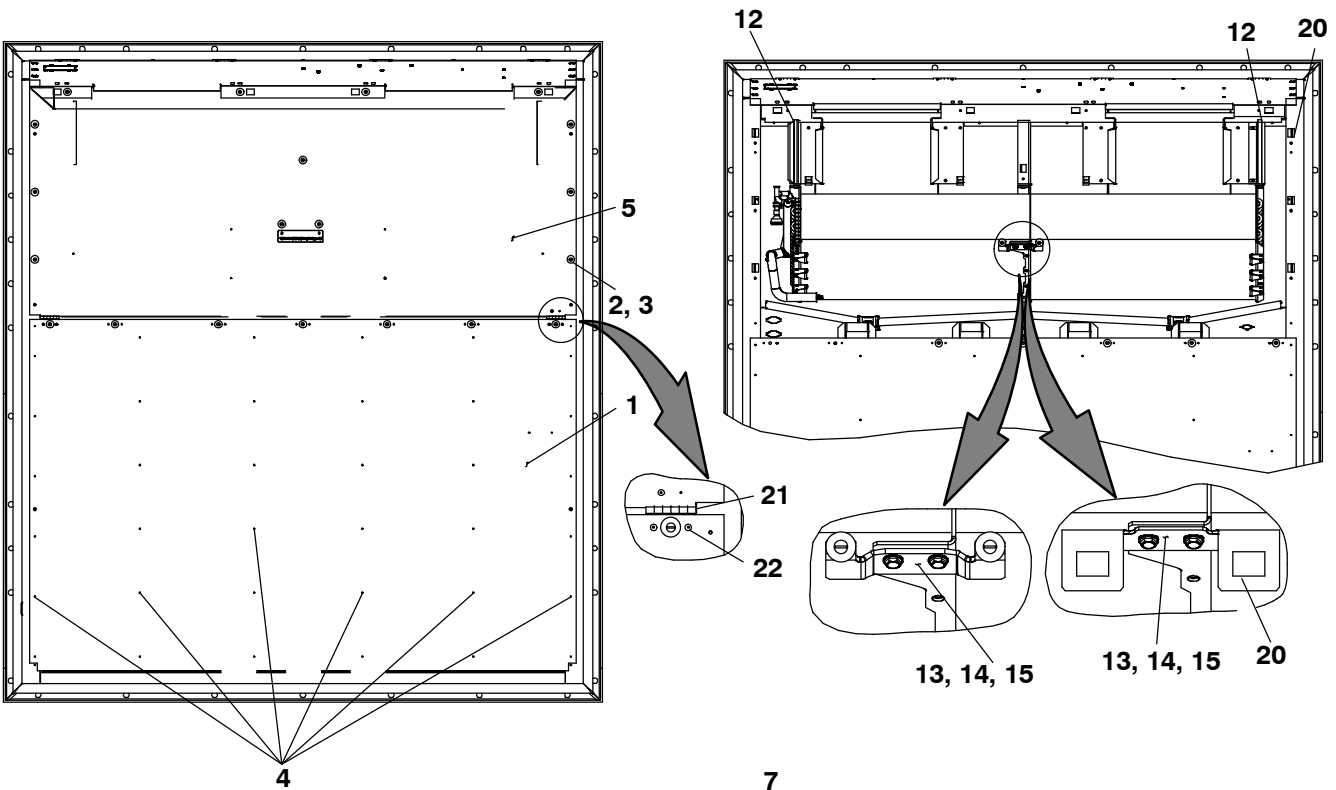


77-01114

1.4 UPPER FRESH AIR – Blank Panel (Continued)			
Item	Part Number	Description	Qty
1	79-01697-06SV	Panel Assembly, Access, Evaporator, White – Includes:	A/R
2	58-04378-01	Panel, Access	1
3	42-00327-00	Gasket, 0.26 X 0.50 Half-Round	1
4	42-00296-01	Gasket, Evaporator Access Panel	1
5	68-11989-00	Cover, Top, Evaporator Access Panel, White	A/R
6	66U1-5562-2	Plug Button	1
7	34-06154-00	Screw, Hex Head, 1/4-20 X 1.00 Inch Long – TIR	A/R
8	34-06053-13	Washer, Mylar	8
9	34-06212-12	Washer, Plain, 1/4	8
10	34-00655-08	Screw, Hex Head, 1/4-20 X 1.00 Inch Long	A/R

77-01114-07

1.5 BACK PANEL KIT



77-01710

1.5 BACK PANEL KIT (Continued)**BACK PANEL BOLTED, ALUMINUM**

Item	Part Number	Description	Qty
1	68-17361-00	Panel, Back	1
2	69NT-35-2692	Washer, Fender #10	20
3	66U1-2403	Screw, Machine Trhd #10-24 X 0.500	20
	79-04045-00	Upper Back Panel Assembly Includes:	
4	34-00928-20	Rivet, Blind	6
5	68-17293-00	Panel Assembly, Back	1
6	42-00174-34	Gasket	1
7	42-00334-00	Gasket	1
8	68-17337-00	Shield, Heat	1
9	42-00174-110	Gasket	1
10	42-00174-111	Gasket	2
11	42-00174-116	Gasket	1
12	66U1-2593-4	Gasket	2
13	34-00655-04	Screw, Cap Hex Head 1/4-20 X 0.50	2
14	66U1-5321-3	Washer, Plain 1/4 N Type A	2
15	68-17175-00	Bracket	1

BACK PANEL HINGED, STAINLESS STEEL

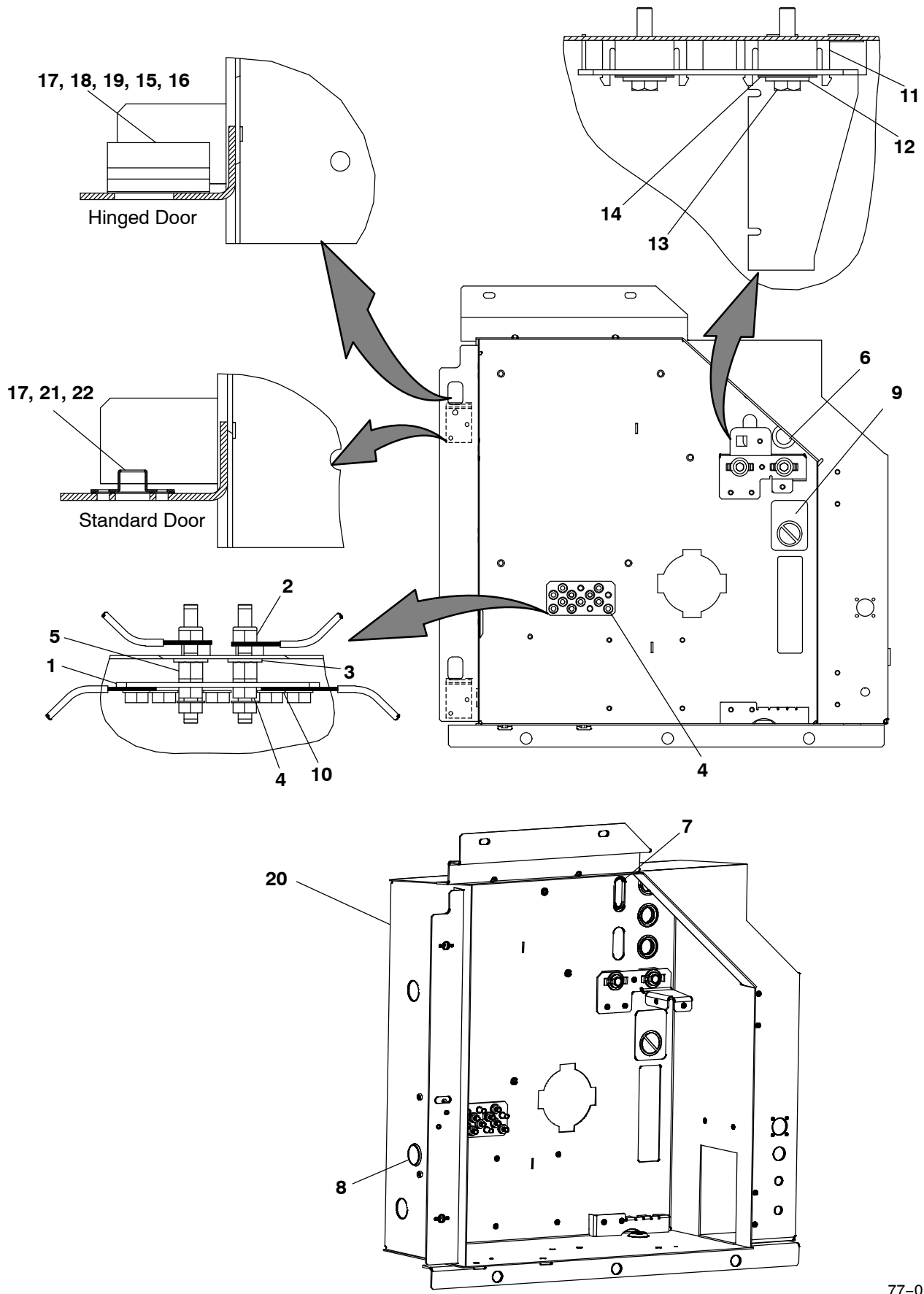
	79-04045-01	Panel Assembly, Back Stainless Steel Includes:	1
1	68-17361-01	Panel, Back 16 Ga (.063) Stainless Steel	1
4	34-00928-20	Rivet, Blind .125 Diameter .126-.250	46
6	42-00174-34	Gasket	1
7	42-00334-00	Gasket	1
8	86-05077-00	Heat Shield	1
9	42-00174-110	Gasket	1
10	42-00174-111	Gasket	2
11	42-00174-117	Gasket	1
16	42-00174-118	Gasket	1
17	42-00174-119	Gasket	1
18	42-00174-120	Gasket	1
19	42-00174-121	Gasket	1
20	34-01150-31	Receptacle 1/4 Turn Fastener	13
21	69NT-35-3282	Hinge	7
22	34-00928-09	Rivet, Blind .156 Diameter .126-.250	28
12	66U1-2593-4	Gasket	2
23	34-01150-03	Stud, Captive .94 1/4 Turn Fastener	6
24	34-01150-30	Washer, Lock 1/4 Turn Fastener	13
25	34-01150-06	Stud, Captive	7
13	34-00655-04	Screw, Cap Hex Head 1/4-20 X 0.50	2
14	66U1-5321-3	Washer, Plain 1/4 N Type A	2
15	68-17484-00	Bracket Stainless Steel	1
26	66U1-5321-5	Washer, Plain 3/8 N Type A	10

OPTIONS PID NT2712

1	68-18027-01	Panel, Lower Back	1
5	68-17964-06	Panel, Upper Back	1

77-01710-00,01

1.6 BOX PREP KIT



77-01693

1.6 BOX PREP KIT (Continued)**BOX PREP KIT, COMMON PARTS**

Item	Part Number	Description	Qty
1	68-86230-00	Strap Assembly Ground, All Populated	1
2	34-00667-11	Nut, Self Lock	2
3	66U1-5321-3	Washer, Plain 1/4 N Type A	2
4	AT39JA171	Nut, Hex	13
5	66U1-9592-13	Standoff 1/4-20 X 0.375	2
6	58-00701-03	Plug, Button	3
7	58-04680-00	Plug, Button	1
8	66U1-5562-7	Plug, Button	1
9	62-10911-00	Label, Warning M13 Only !	1
10	AU27JR171	Washer, Lock 1/4	11
11	58-00967-00	Spacer Locking	2
12	66U1-5321-7	Washer, Plain 1/4 W Type A	2
13	34-00655-10	Screw, Cap Hex Head 1/4-20 X 1.25	2
14	34-06053-03	Washer .250 ID X 1.000 OD	4
15	68-04910-08	Protector	1
16	34-00667-09	Self Lock Nut	1

BOX PREP KIT, HINGED PARTS

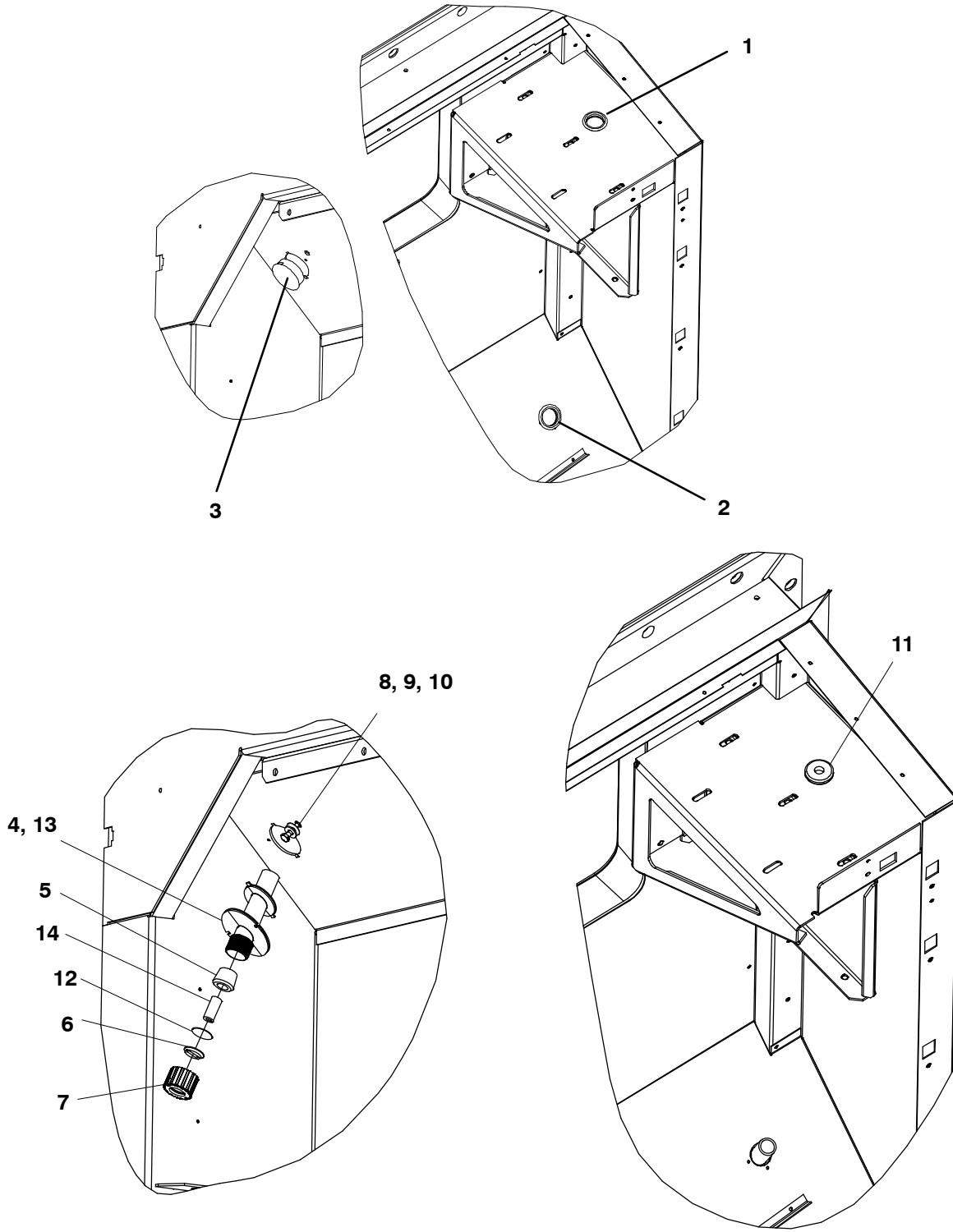
17	68-17316-00	Keeper	2
18	66U1-5371-7	Screw, Machine Hex Head #10-24 X .500	1
19	66U1-5321-8	Washer, Plain #10 Type A	1
20	86-05003-00	Control Box	1

BOX PREP KIT, STANDARD PARTS

17	34-01142-01	Receptacle	2
20	86-05003-00	Control Box	1
21	58-04026-32	Protector	2
22	34-00928-01	Rivet, Blind	2

77-01693-00,01

1.7 BULKHEAD PENETRATION – UPPER AIR EXCHANGE



77-01208

1.7 BULKHEAD PENETRATION – UPPER AIR EXCHANGE (Continued)**NO RECORDER, NO TRANSFRESH**

Item	Part Number	Description	Qty
1	66U1-5562-12	Plug, Button 1.25 Diameter Hole	1
2	66U1-5562-2	Plug, Button 1.25 Diameter Hole	1
3	58-00616-00	Plug, Hole 2.00 Diameter X .12	1

RECORDER PROVISION

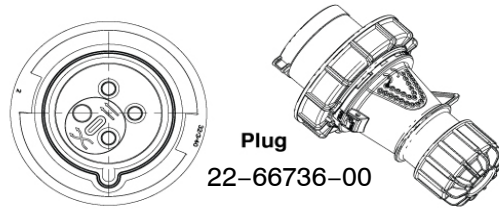
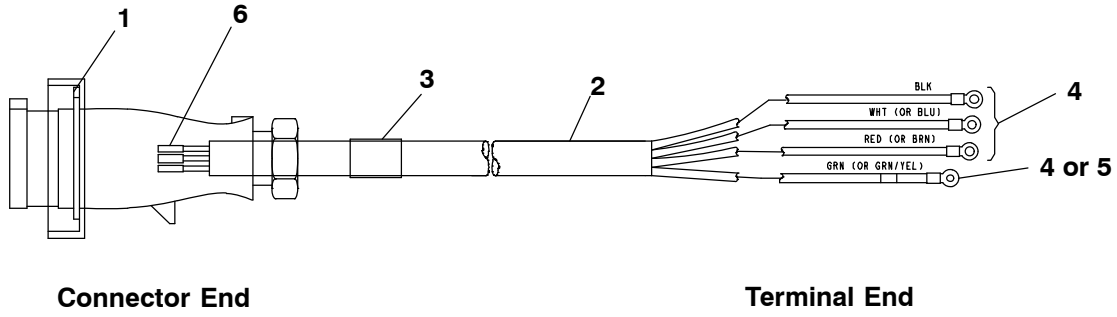
4	58-04290-01	Fitting Bulkhead	1
5	22-01602-02	Bushing	1
6	22-01602-03	Ring	1
7	22-01733-01	Nut	1
8	34-06154-03	Screw, Cap Hex Head 1/4-20 X 1.00	1
9	34-06053-00	Washer .250 ID X .800 OD	1
10	66U1-5321-7	Washer, Plain 1/4 W Type A	1
11	66U1-5562-12	Plug, Button	1
12	69NT35-8258	Disc	1
13	34-00928-20	Rivet, Blind .1	5
14	58-04302-01	Grommet	1

TRANSFRESH INSTALLED

4	58-04290-01	Fitting Bulkhead	1
5	22-01602-02	Bushing	1
6	22-01602-03	Ring	1
7	22-01733-01	Nut	1
8	34-06154-03	Screw, Cap Hex Head 1/4-20 X 1.00	1
9	34-06053-00	Washer .250 ID X .800 OD	1
10	66U1-5321-7	Washer, Plain 1/4 W Type A	1
11	66U1-1571-14	Grommet	1
13	34-00928-20	Rivet, Blind	5
14	58-04302-01	Grommet	1

77-01208-00,03,04

1.8 CABLE ASSEMBLY



Rotating Pin Plug Option

22-01879

1.8 CABLE ASSEMBLY (Continued)**460V CABLE ASSEMBLY**

Item	Part Number	Description	Qty
1	22-02378-00	Plug 4 Pole, 440V	1
2	22-66651-12	Cable Transicord Flexline	1
3	66U1-2583	Tube, Heat Shrink	1
4	22-00119-03	Terminal	3
5	22-00119-04	Terminal, Ring	1
6	22-02324-01	Bushing	4

460V CABLE ASSEMBLY

1	22-02378-00	Plug 4 Pole, 440V	1
2	22-66651-10	Cable Transicord Flexline	1
3	66U1-2583	Tube, Heat Shrink	1
4	22-00119-03	Terminal	3
5	22-00119-04	Terminal, Ring	1
6	22-02324-01	Bushing	4

230V CABLE ASSEMBLY

1	66U1-6782	Plug	1
2	22-01879-50	Cable Transicord Flexline	1

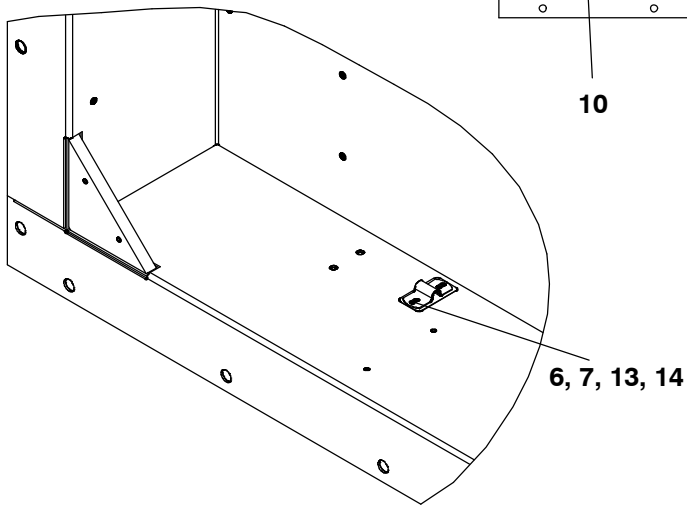
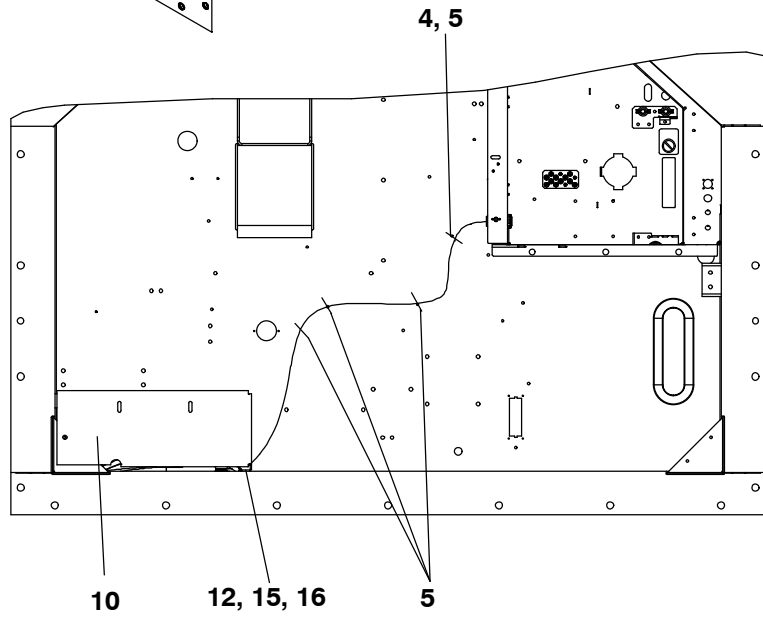
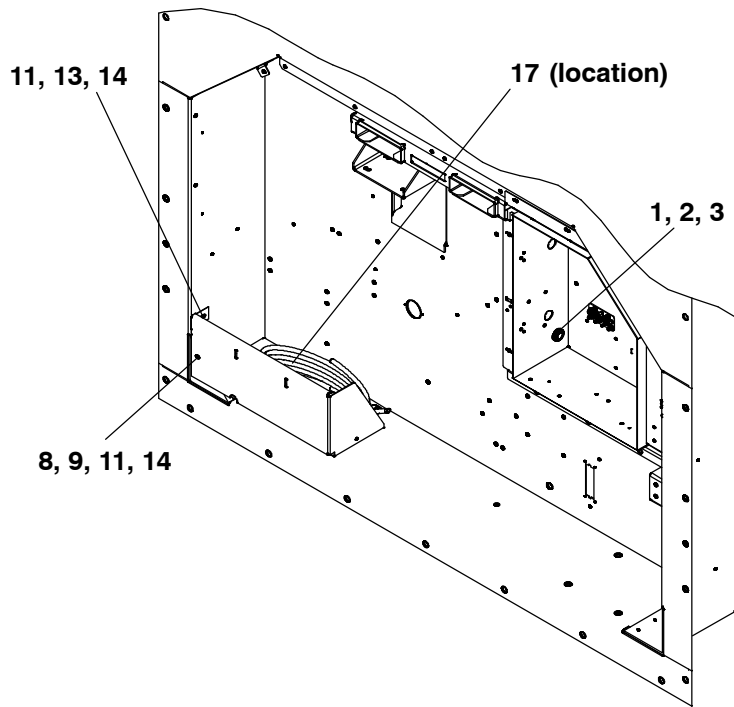
ROTATING PIN PLUG OPTION

1	22-66736-00	*Rotating Pin Plug	1
2	22-66744-20	Cable	1

* Plug to be used with 22-66744-20 Cable

22-01879-33,31,05

1.9 CABLE KIT



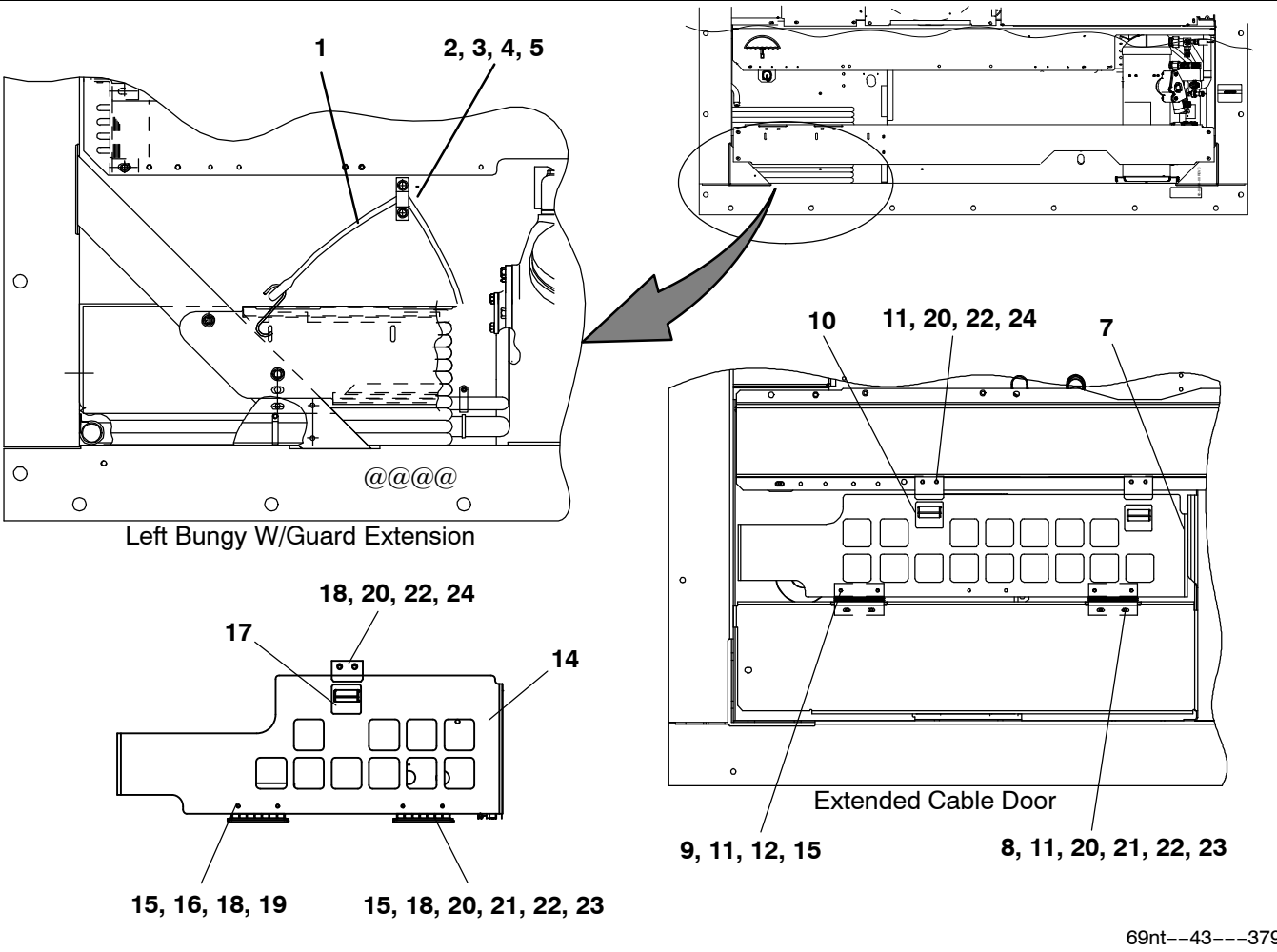
77-01695

1.9 CABLE KIT (Continued)

Item	Part Number	Description	Qty
1	66U1-7352-3	Connector Straight, Watertight	1
2	34-06136-01	Nut, Lock 3/4" Npt	1
3	66U1-1251-2	O-Ring	1
4	58-04316-00	Base, Mounting	1
5	66U1-3882	Wire Tie	3
6	68-14456-01	Cable Clamp Cable Cutter 16 Ga.	1
7	58-04026-07	Protector	1
8	66U1-5361-11	Screw, Cap Hex Head 1/4-20 X 1.50	2
9	34-00667-11	Nut, Self Lock	1
10	68-86254-00	Guard	1
11	34-06053-00	Washer .250 ID X .800 OD	10
12	66U1-5371-6	Screw, Machine Hex Head #10-24 X 0.750	2
13	66U1-5361-25	Screw, Cap Hex Head 1/4-20 X 0.75	8
14	66U1-5321-7	Washer, Plain 1/4 W Type A	5
15	66U1-5321-8	Washer, Plain #10 Type A	2
16	34-06053-05	Washer	2
17	68-86256-00	Separator (option)	1

77-01695-00,02

1.10 CABLE RESTRAINT COMPONENTS



69nt--43---379

1.10 CABLE RESTRAINT COMPONENTS (Continued)**LEFT BUNGY W/GUARD EXTENSION**

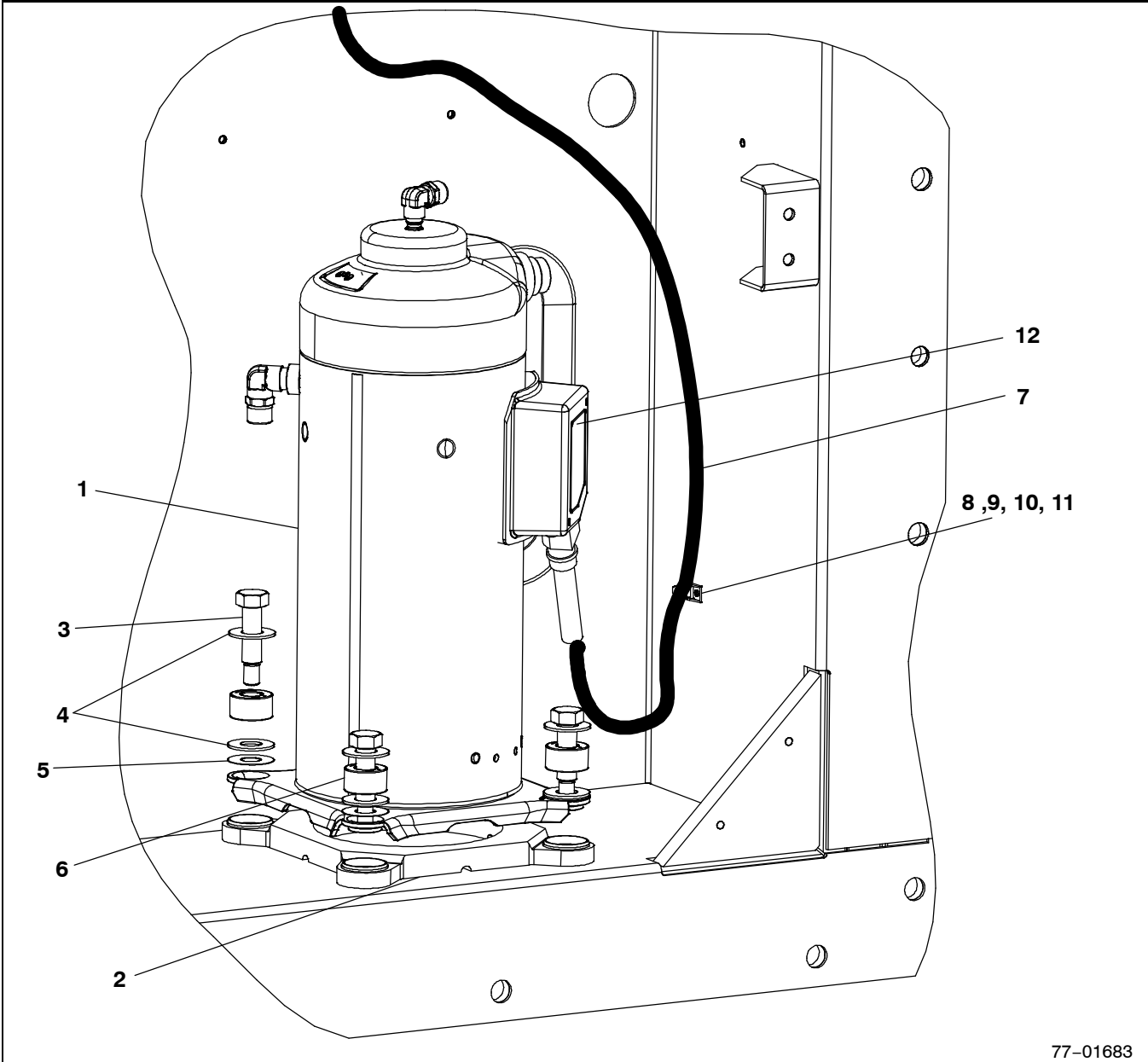
Item	Part Number	Description	Qty
1	66U1-5321-7	Washer, Flat, 1/4, SST	2
2	66U1-5361-25	Screw, Captive, Hex Head, 1/4-20 X 0.75 Inches Long, SST	2
3	34-06053-03	Washer, Mylar, 0.25 ID X 1.00 OD	2
4	69NT35-5992	Strap 16 Gage	1
5	66U1-2603	Strap, Tie Down	1

EXTENDED CABLE DOOR

6	79-04071-00	Cable Restraint Includes:	
7	68-86255-00	Cover	1
8	58-04001-01	Protector	2
9	44-00409-00	Hinge	2
10	44-00401-00	Latch, Door	2
11	34-06053-05	Washer 0.205 ID X 0.600 OD	4
12	34-00928-13	Rivet, Blind	4
13	79-04071-01	Cable Restraint Includes:	
14	68-17526-00	Cover	1
15	58-04001-02	Protector	2
16	44-00409-00	Hinge	2
17	44-00401-00	Latch, Door	1
18	34-06053-05	Washer 0.205 ID X 0.600 OD	4
19	34-00928-13	Rivet, Blind	4
20	66U1-5321-8	Washer, Plain #10 Type A	8
21	66U1-5331-3	Washer, Lock #10 Spring	6
22	66U1-2403	Screw, Machine #10-24 X 0.500 Sltd	8
23	34-01167-01	Nut, Retainer #10-24 X 1.75	2
24	68-13707-02	Latch	2

69nt-43---379

1.11 COMPRESSOR ASSEMBLY

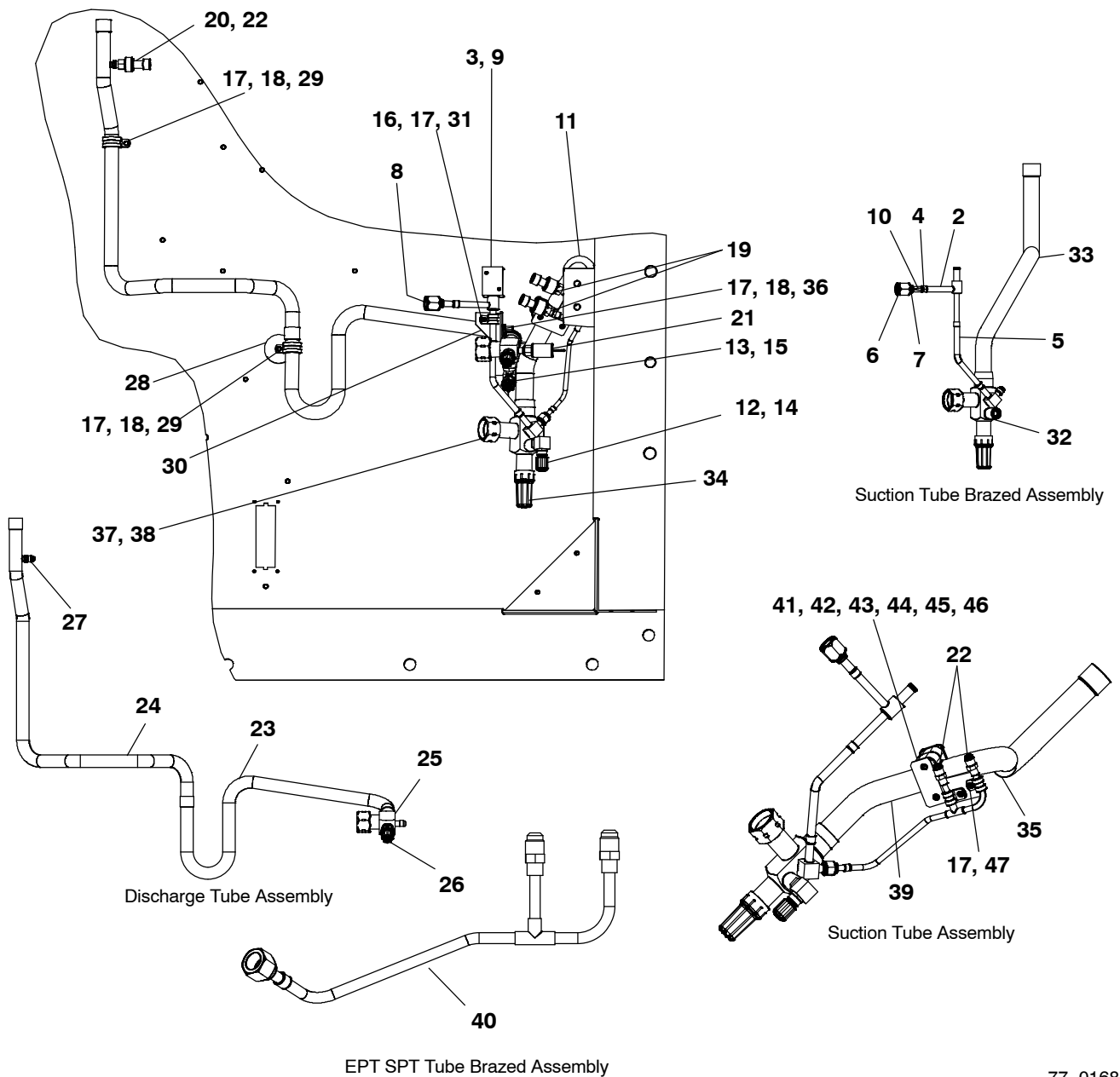


77-01683

Item	Part Number	Description	Qty
1	18-10136-22	Compressor, Scroll	1
2	58-04821-00	Base Assembly	1
3	34-06277-02	Bolt, Shoulder 1/2-13	4
4	34-06236-00	Washer .687 X 1.500 X .078	8
5	34-06053-20	Washer .65 ID X 1.50 OD	4
6	58-04791-01	Mount, Resilient	4
7	22-04128-10	Cable	1
8	66U1-3882	Wire Tie	1
9	58-04246-00	Ty-Rap Base	1
10	66U1-5371-6	Screw, Machine Hex Head #10-24 X 0.750	1
11	34-00663-09	Washer, Lock #10 Spring	1
12	18-10136-30	Cover	1

77-01683-00

1.12 COMPRESSOR TUBING



77-01684

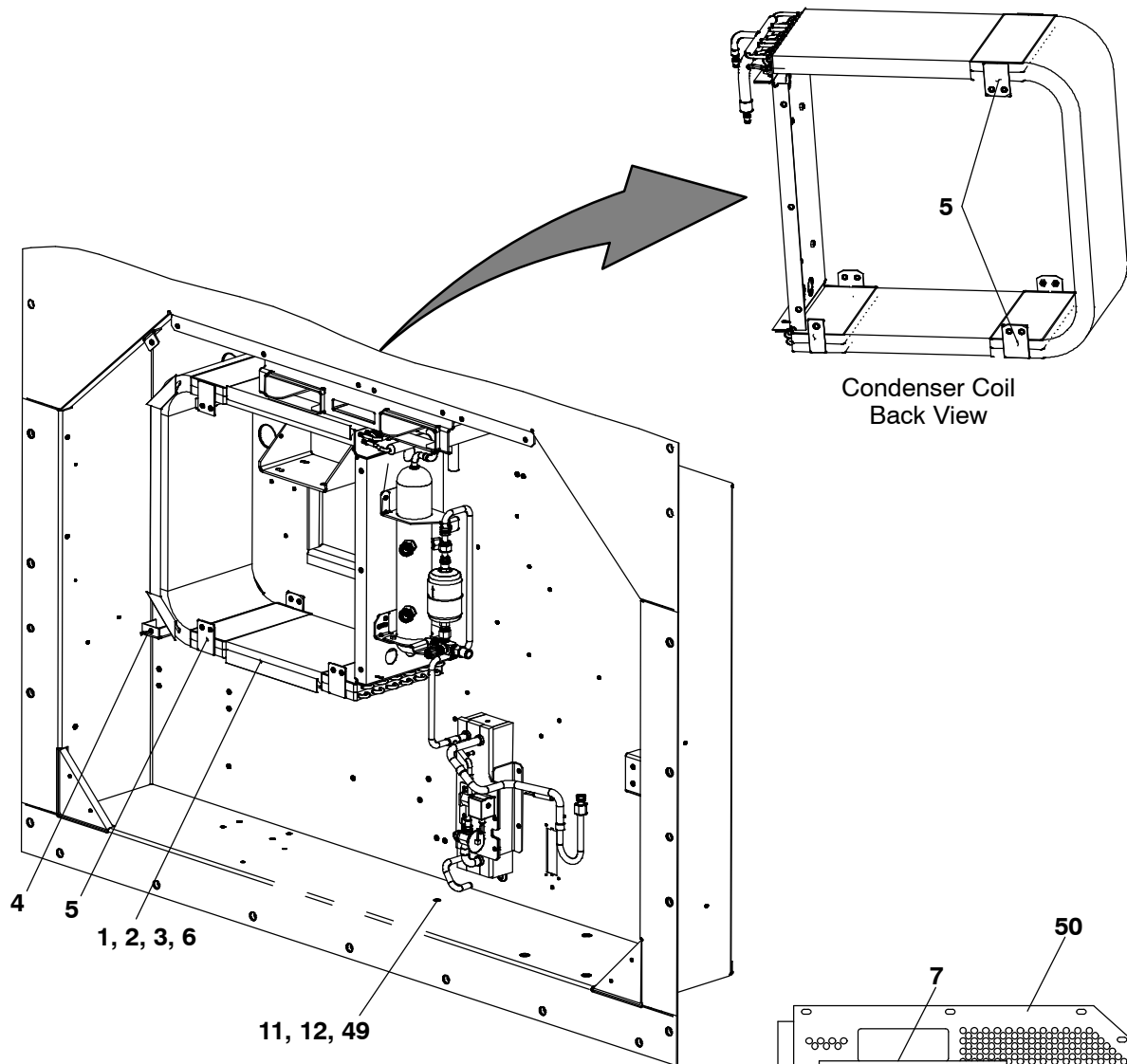
Item	Part Number	Description	Qty
1	76-00816-00	Transducer, Service (EPT) (SPT)	
	22-01713-46	Wire Harness Transducer Service	
	66U1-3803	Tube Heat Shrink	
2	14-00361-16	Valve Body, Solenoid	1
3	14-00361-01	Coil Kit, Solenoid (DUV)	1
	14-00361-10	Coil	1
	14-00361-11	Spacer	1
	14-00361-12	Plain Washer	1
	14-00361-13	Spring Washer	1
	14-00361-14	Screw	1
4	56-07257-11	Tube	1
5	56-08689-00	Tube	1
6	40-00675-00	Nut, Hex 37 Deg Flare, 1/2 OD	1

1.12 COMPRESSOR TUBING (Continued)

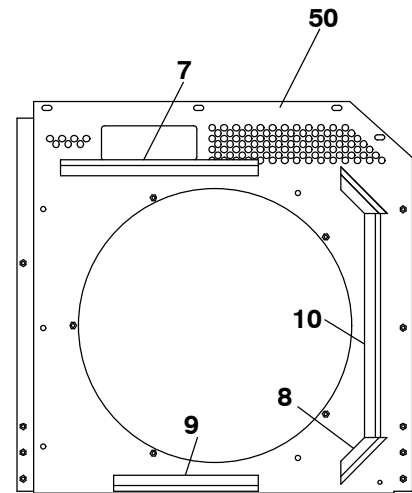
Item	Part Number	Description	Qty
7	40-00663-00	Sleeve	1
8	42-00243-12	O-Ring	1
9	66U1-3803	Tube, Heat Shrink	2
10	14-00361-15	Screen Valve Strainer	1
11	58-00065-95	Grommet	1
12	40-00542-00	Elbow Adapter Low Press	1
13	40-00542-01	Elbow Adapter High Press	1
14	40-00520-02	Cap	1
15	40-00520-03	Cap	1
16	66U1-5371-6	Screw, Machine Hex Head #10-24 X 0.750	3
17	34-06053-05	Washer	6
18	66U1-3632-20	Clamp, Tube	3
19	76-00816-00	Transducer, SPT, EPT	2
20	12-00352-00	Transducer, DPT	1
21	12-00309-05	High Pressure Switch, 350/250 Psig	1
22	EC39DM070	Core Check Valve	3
23	56-09161-00	Tube, Discharge 7/8 OD X 0.045	1
24	56-09162-00	Tube, Discharge 7/8 OD X .045	1
25	40-00583-05	Valve, Service 7/8 ID, Rotalock	1
26	40-00583-20	Valve Cap	1
27	40-01124-00	Valve Body	1
28	34-06295-00	Washer, Fender #10-1.690-2.000 OD	1
29	66U1-5371-10	Screw, Machine Hex Head #10-24 X 1.00	2
30	68-15532-00	Bracket .090 Thick Aluminum	1
31	34-00373-53	Clamp, Tube	1
32	40-00665-04	Valve, Service 1 1/8 ID, Rotalock	1
33	56-09063-00	Tube, Suction 1-1/8 OD X 0.05	1
34	40-00665-21	Service Cap	1
35	42-00425-131	Insulation, Tube Pre-Taped	1
36	34-00795-09	Nut, Self Lock	1
37	42-00425-112	Insulation, Tube Pre-Taped	1
38	66U1-3882-3	Wire Tie	2
39	42-00425-130	Insulation, Tube Pre-Taped	1
40	79-04051-00	Tube Assembly:	1
	81-04212-00	Tube	1
	EC39DM070	Valve Core	1
41	68-15997-00	Bracket	1
42	44-00285-54	Clamp, Tube 1-1/8 OD 2 Pcs	1
43	34-00655-18	Screw, Cap Hex Head 1/4-20 X 2.25	2
44	34-06053-00	Washer .250 ID X .800 OD	2
45	66U1-5321-7	Washer, Plain 1/4 W Type A	2
46	68-15998-00	Nut Plate	1
47	34-00373-51	Clamp, Tube	2

77-01684-00

1.13 CONDENSER KIT, COIL & COVERS

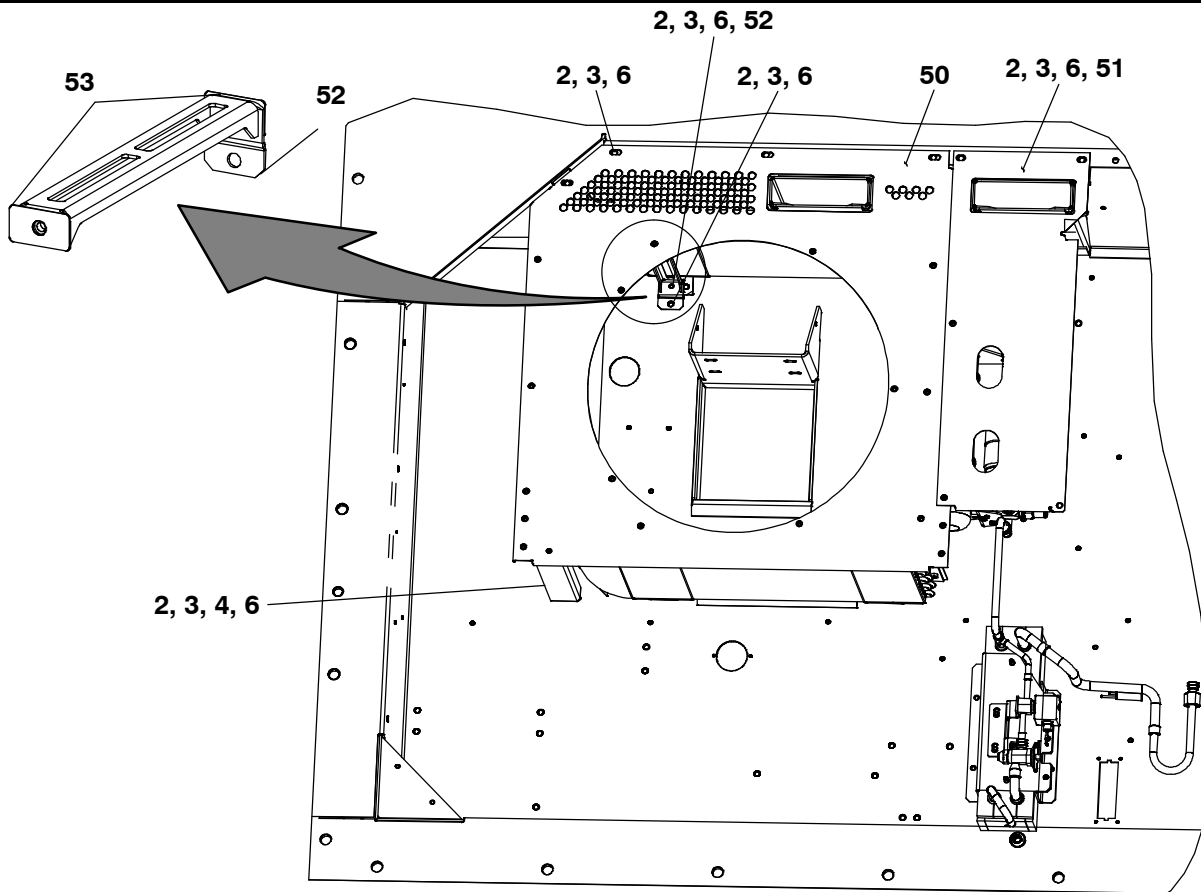


Condenser Coil
Back View



V Strip on Coil
Side of Cover

1.13 CONDENSER KIT, COIL & COVERS (Continued)

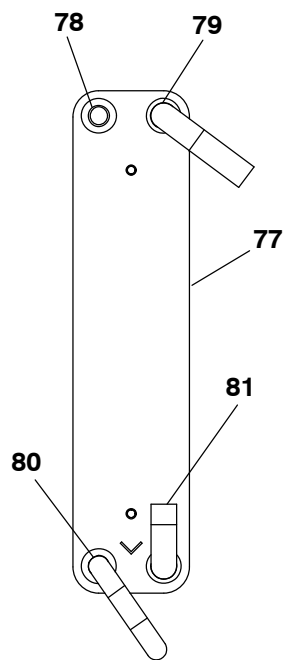
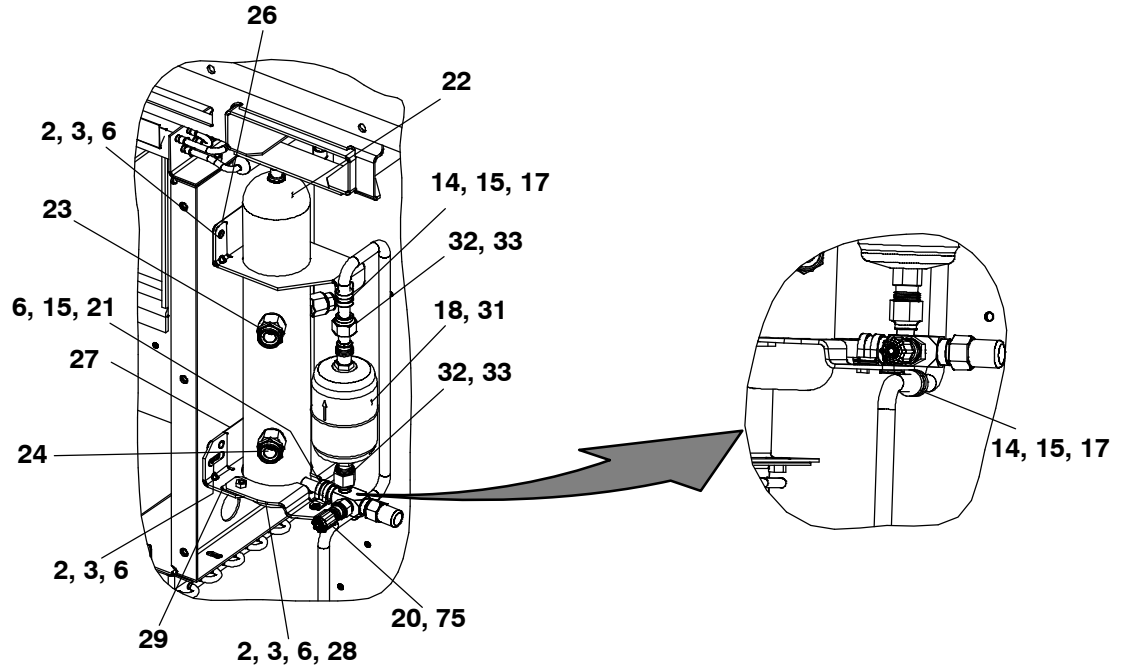


77-01697

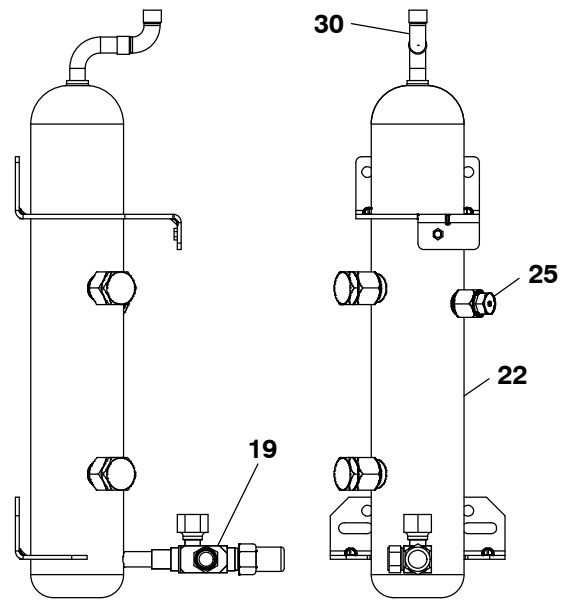
Item	Part Number	Description	Qty
1	81-04203-20	Condenser Coil Assembly:	1
	68-17185-00	Panel	1
	34-00655-04	Screw, Hex Head	4
	34-06053-00	Washer	4
	66U1-5321-3	Washer, Plain	4
	58-04910-00	Protector	1
	58-04910-01	Protector	1
	58-04026-23	Protector	1
	58-04026-108	Protector	1
	56-09149-00	Coupling	2
2	66U1-5361-25	Screw, Cap Hex Head 1/4-20 X 0.75	42
3	66U1-5321-7	Washer, Plain 1/4 W Type A	44
4	68-17196-00	Bracket	1
5	58-04910-02	Protector	2
6	34-06053-00	Washer .250 ID X .800 OD	45
7	42-00771-02	Gasket	2
8	42-00771-00	Gasket	4
9	42-00771-01	Gasket	2
10	42-00771-03	Gasket	2
11	66U1-5361-7	Screw, Cap Hex Head 3/8-16 X 1.00	1
12	34-00662-13	Washer, Plain 3/8	1

77-01697-01

1.13 CONDENSER KIT, RECIEVER, HEAT EXCHANGER SECTIONS

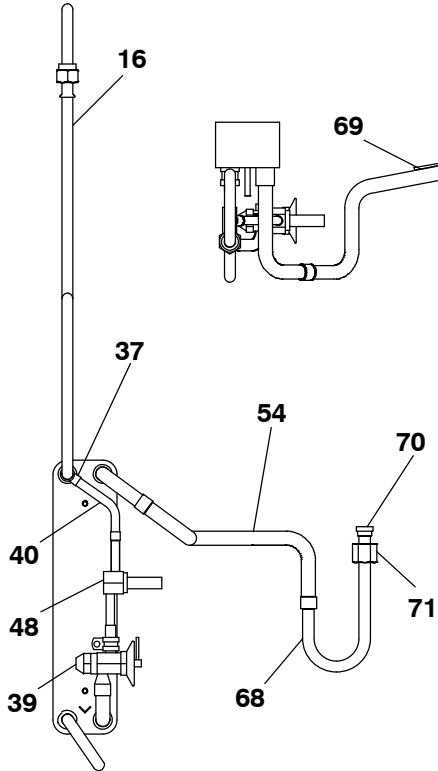
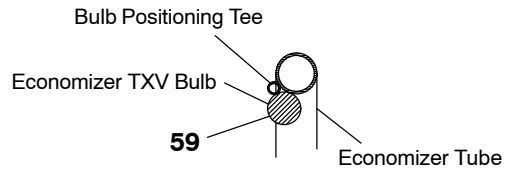
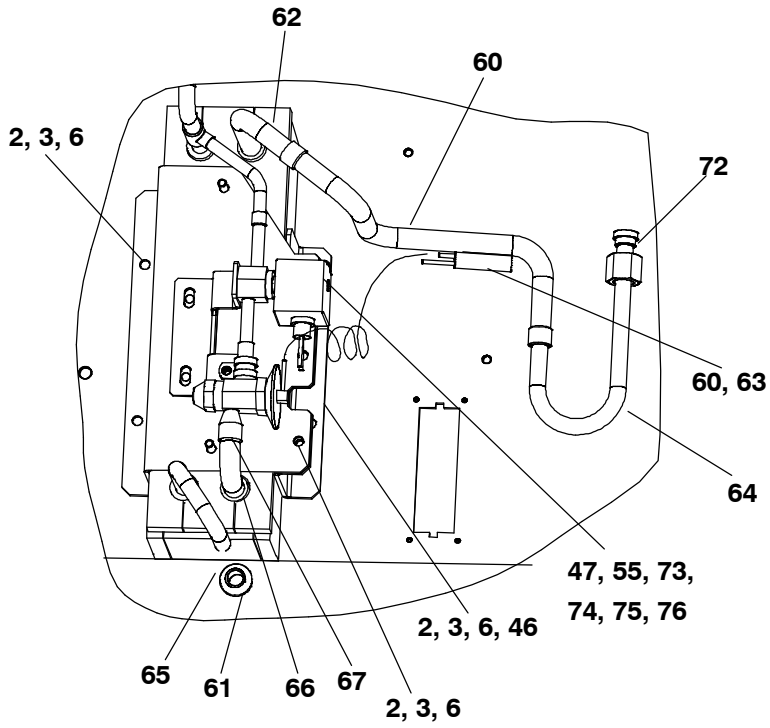


Heat Exchanger Assembly

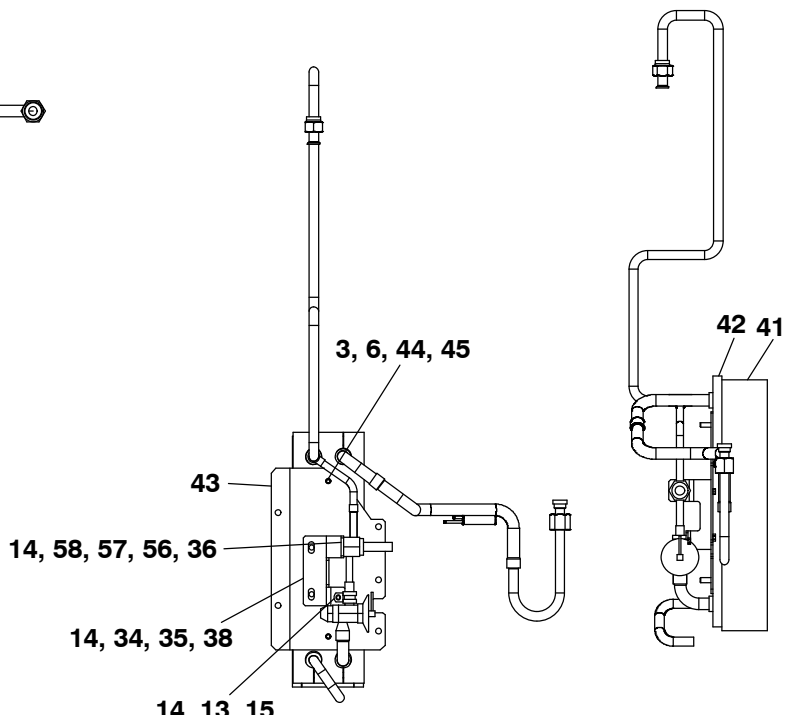


Receiver Brazed Assembly

1.13 CONDENSER KIT, ECONOMIZER SECTION



Economizer Brazed Assembly



Economizer Assembly

77-01697

1.13 CONDENSER KIT (Continued)

13	34-00373-54	Clamp, Tube Cushion	1
14	34-06053-05	Washer .205 ID X .600 OD	7
15	66U1-5371-6	Screw, Machine Hex Head #10-24 X 0.750	4
16	56-09064-00	Tube	1
17	44-00370-03	Clamp, Cushioned	2
18	14-00341-07	Filter Drier 1/2 Flare, "O" Ring	1
	14-00341-11	Filter Drier Aluminum Coated, 1/2 Flare, "O" Ring	1
19	14-00222-02	Valve King	1
20	40-00520-01	Coupling	1
21	34-00373-07	Clamp, Tube	1
22	79-04049-01	Receiver Assembly Aluminized Steel:	1
23	14-00220-04	Sight Glass 1/2-14 Npt Danfoss	1
24	14-00221-04	Indicator Moisture & Liquid	1
25	14-01032-14	Fusible Plug	1
26	58-04026-23	Protector	1
27	58-04026-108	Protector	1
28	68-16864-00	Bracket	1
29	58-04910-04	Protector	2
30	40-66625-38	Elbow, 90 Str 1/2C X 1/2C	1
31	14-00284-20	O-Ring Filter Drier	2
32	66U1-3882	Wire Tie	4
33	42-00032-13	Insulation Prestite	2
34	66U1-5371-7	Screw, Machine Hex Head #10-24 X .500 Sltd	2
35	66U1-5321-8	Washer, Plain #10 Type A	2
36	58-04026-59	Protector Solenoid Valve	1
37	40-66620-01	Tee, Reducing 1/2 X 1/2 X 3/8	1
38	68-14278-00	Bracket	1
39	14-00232-31	Valve, Expansion 5/8 OD X 3/8 OD	1
40	56-07911-00	Tube, Liquid 3/8 OD X .028 W	1
41	42-00389-03	Insulation Economizer	1
42	42-00390-03	Insulation Economizer	1
43	68-15477-02	Bracket	1
44	58-00836-19	Spacer Nylon	2
45	34-00667-11	Nut, Self Lock	2
46	68-15478-02	Bracket	1
47	14-01091-05	Coil, ESV	1
48	14-01090-12	Valve Body Solenoid, ESV	1
49	34-06053-02	Washer 0.375 ID X 1.000	1
50	79-04055-00	Cover Includes:	
	68-17290-00	Cover	1
	58-04910-02	Protector	1
	42-00771-00	Gasket	2
	42-00771-01	Gasket	3
	42-00771-02	Gasket	1
	42-00771-03	Gasket	1
51	68-16823-00	Cover	1
52	86-04994-00	Bracket	1
53	58-04910-05	Protector	2

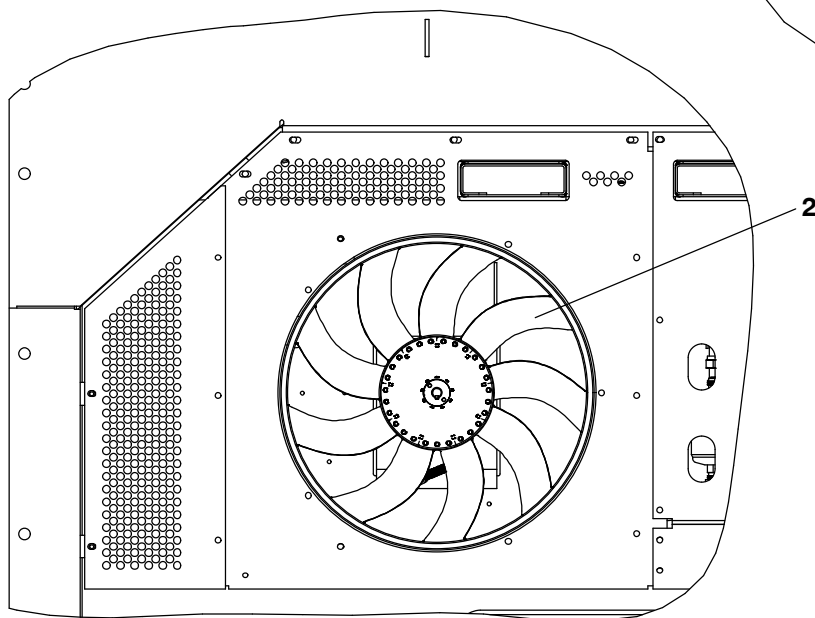
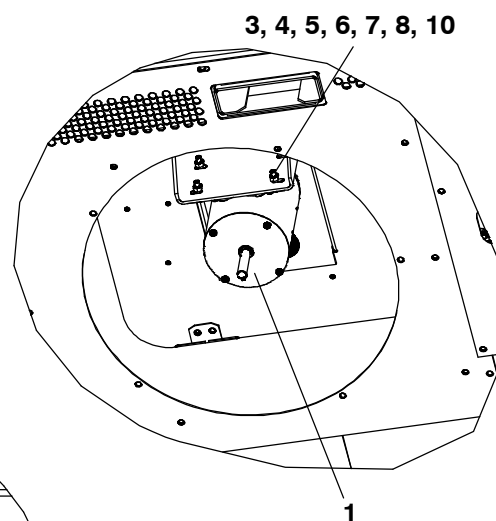
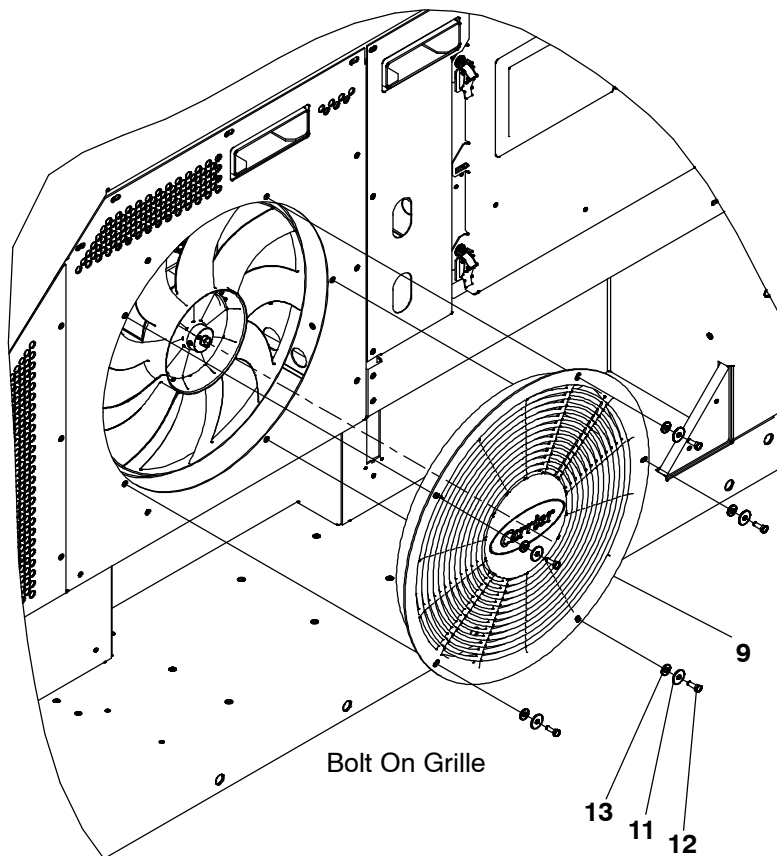
77-01697-01

1.13 CONDENSER KIT (Continued)

Item	Part Number	Description	Qty
54	56-09164-00	Tube	1
55	66U1-3803	Tube, Heat Shrink	2
56	66U1-5371	Screw, Machine Hex Head #8-32 X 1/2	2
57	66U1-5321-2	Washer, Plain #8 Type A	2
58	66U1-5331-4	Washer, Lock #8 Spring	2
59	42-00032-00	Insulation Prestite	1
60	66U1-3882-3	Wire Tie	3
61	66U1-1571-3	Grommet	1
62	42-00425-139	Insulation, Tube	1
63	42-00425-69	Insulation, Tube	1
64	42-00667-32	Insulation, Tube	1
65	42-00667-28	Insulation, Tube	1
66	42-00425-78	Insulation, Tube	1
67	42-00425-93	Insulation, Tube	1
68	56-66738-00	Tube	1
69	99TS0322CK001 400	Tube, Straight	1
70	40-00668-00	Sleeve	1
71	40-00667-00	Nut, Hex	1
72	42-00243-04	O-Ring	1
73	34-66638-00	Screw	1
74	14-01091-20	O-Ring	1
75	14-01091-21	O-Ring	1
76	14-01091-22	Spacer	1
77	81-04202-00	Heat Exchanger:	1
78	99TS0835CK002 000	Tube, Straight	1
79	56-09163-00	Tube	1
80	56-08667-00	Tube, Liquid	1
81	56-08627-00	Tube	1

77-01697-01

1.14 CONDENSER FAN KIT



Shown With Fan Grille Removed

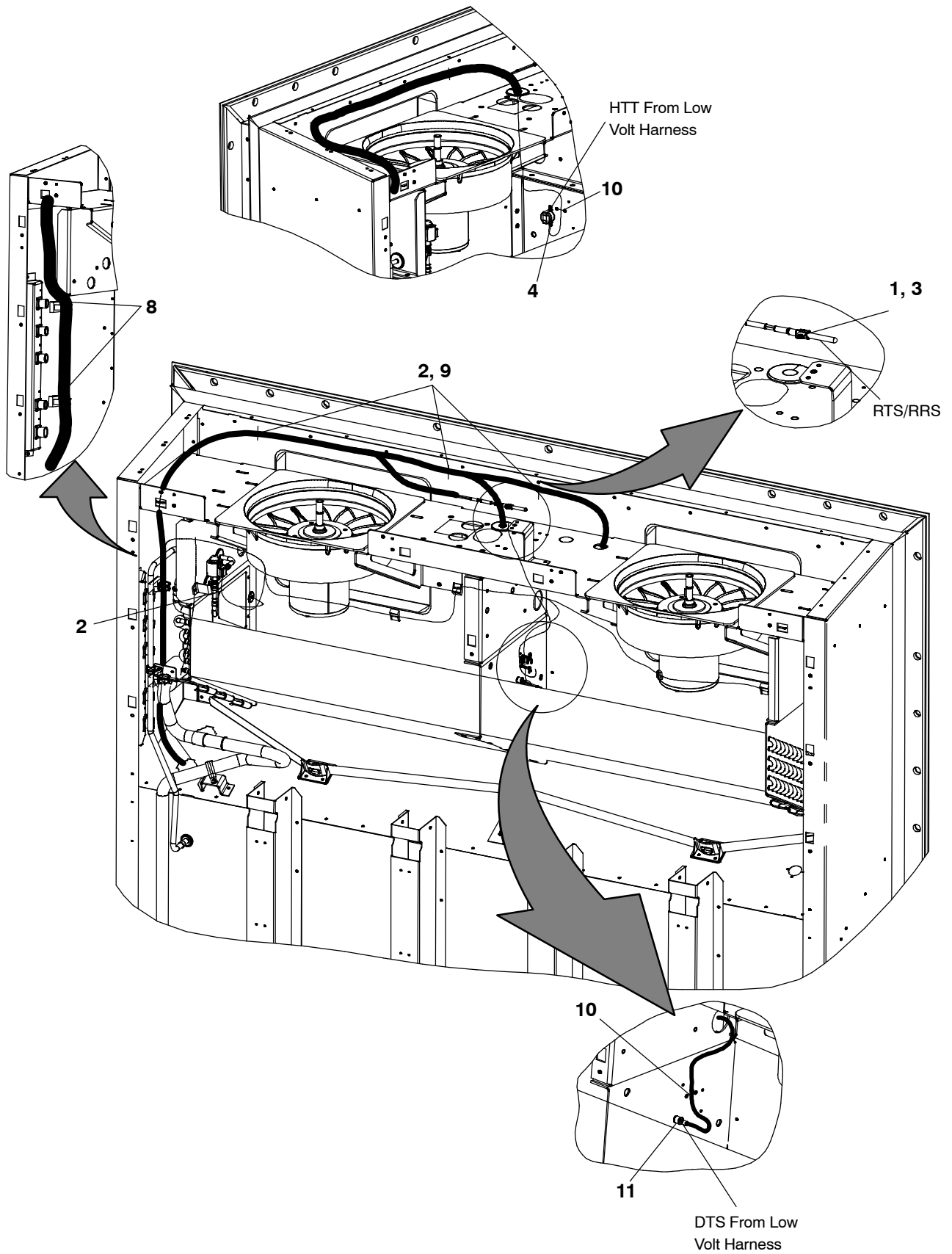
77-01707

1.14 CONDENSER FAN KIT (Continued)

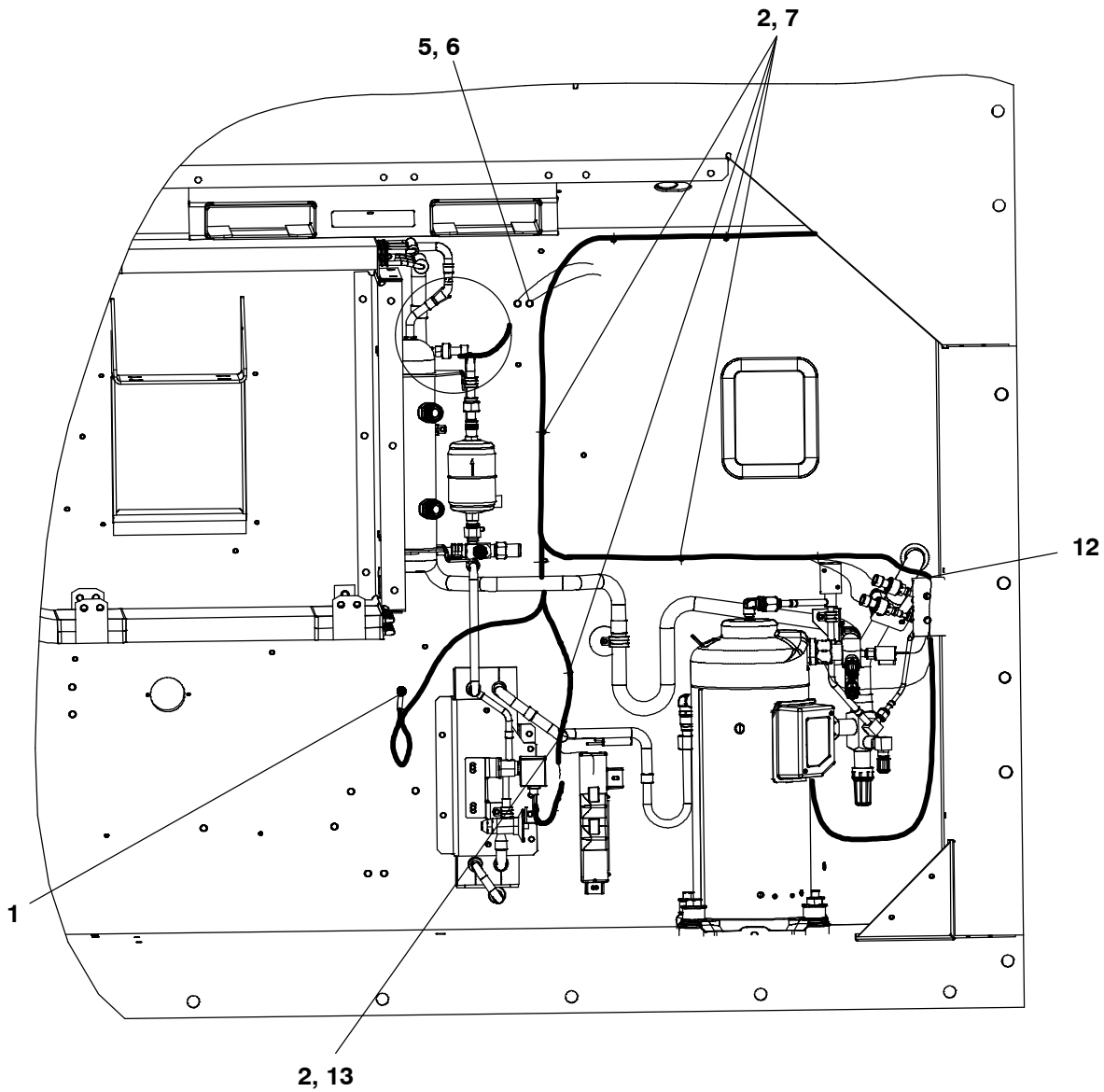
Item	Part Number	Description	Qty
1	54-00655-20	Condenser Fan Motor	1
2	38-00620-01	Condenser Fan Assembly	1
3	69NT35-3452	Shim	1
4	34-01181-01	Washer, Flat	8
5	34-00667-12	Nut, Self Lock	4
6	66U1-5361	Screw, Cap Hex Head 5/16-18 X 1.25	4
7	69NT35-3452-1	Shim	1
8	69NT35-6112	Protector	2
9	58-04980-00SV	Condenser Grille	1
10	34-06053-02	Washer	4
11	69NT35-2692-1	Washer, Fender 1/4-.993-1.015 OD	5
12	66U1-5361-25	Screw, Cap Hex Head 1/4-20 X 0.75	5
13	34-06357-00	Washer	5

77-01707-00

1.15 CONTROLLER KIT



1.15 CONTROLLER KIT (Continued)

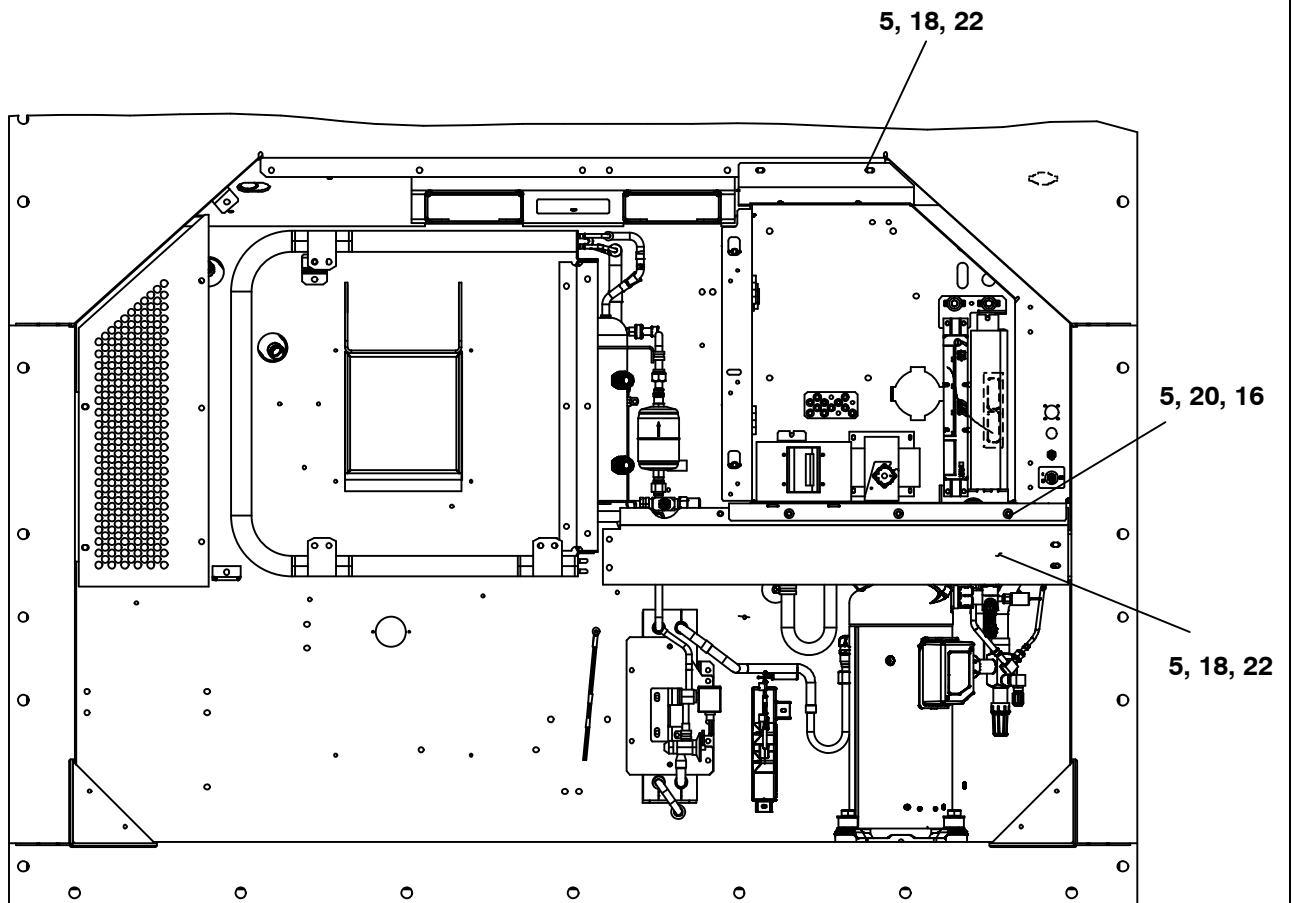
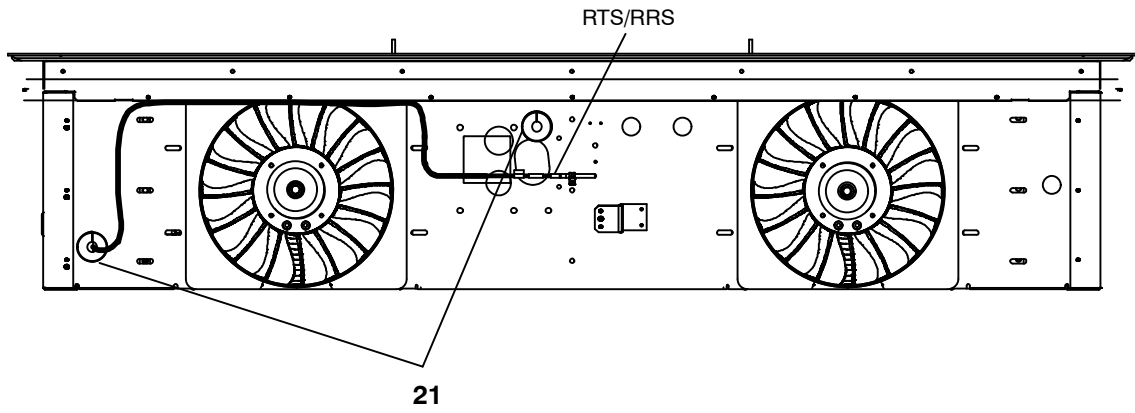


77-01696

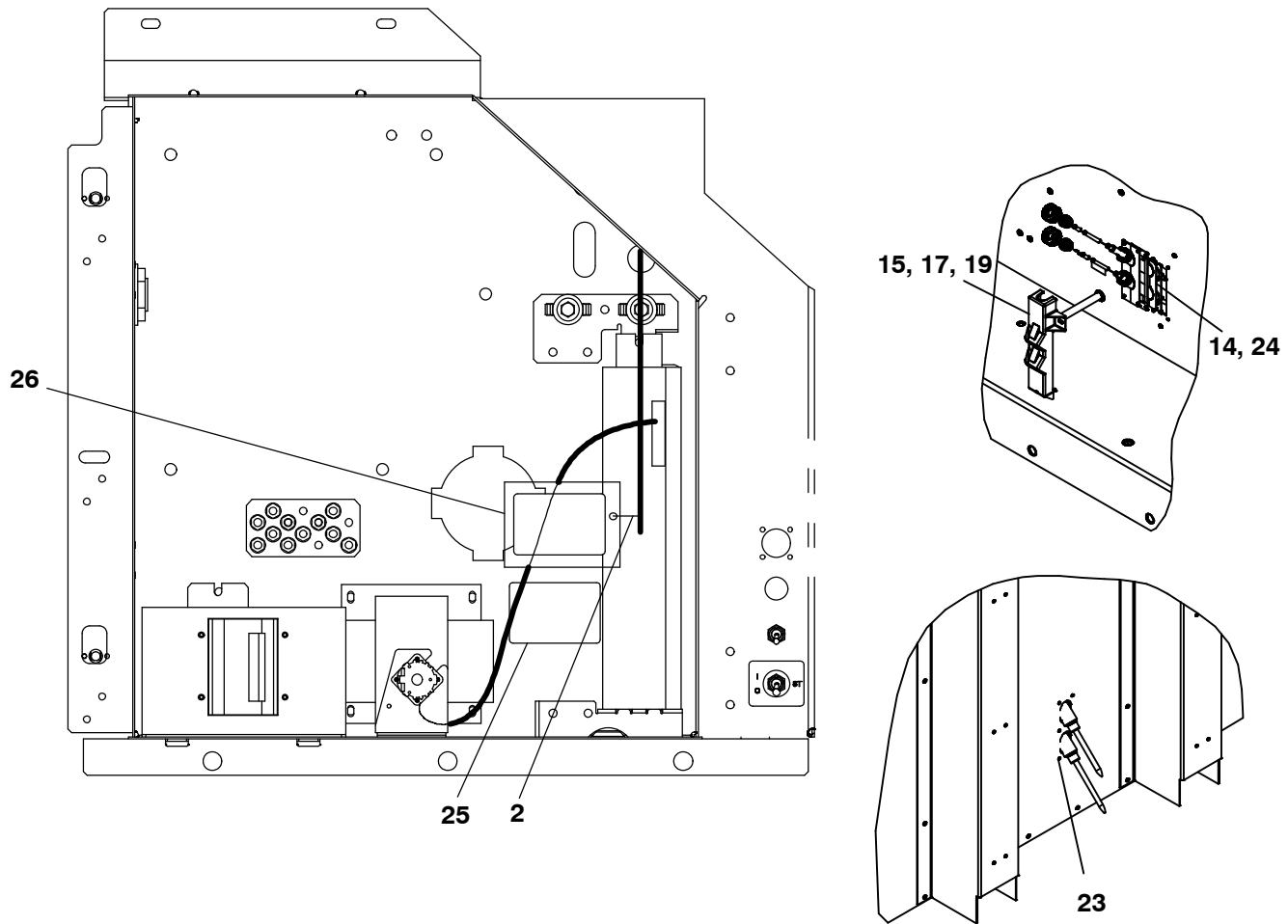
Item	Part Number	Description	Qty
1	66U1-5371-6	Screw, Machine Hex Head #10-24 X 0.750	2
2	66U1-3882	Wire Tie	17
3	44-01041-04	Clamp, Cushioned	1
4	34-01178-22	Screw, Hex Head #8-32 X 0.50	2
5	66U1-5361-25	Screw, Cap Hex Head 1/4-20 X 0.75	7
6	AU27JR171	Washer, Lock 1/4 Ext Tooth	1
7	58-04316-00	Base, Mounting	8
8	44-00361-00	Clip, Retaining	2
9	58-04315-00	Base, Mounting	3
10	58-00969-00	Wire Tie	1
11	34-01178-23	Screw, Tc Hex Head #8-32 X 0.75	1
12	66U1-3803	Tube, Heat Shrink	2
13	58-04321-24	Tube, Slit 3/8 ID, 14.00" Lg	1

77-01696-00

1.15 CONTROLLER KIT (Continued)



1.15 CONTROLLER KIT (Continued)

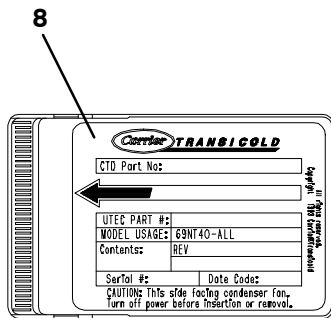
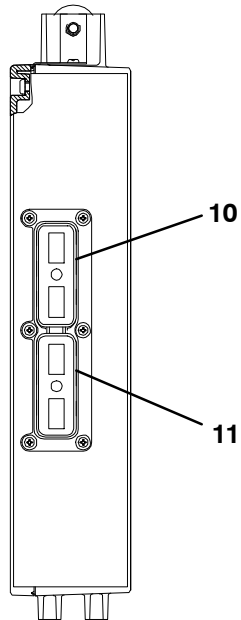
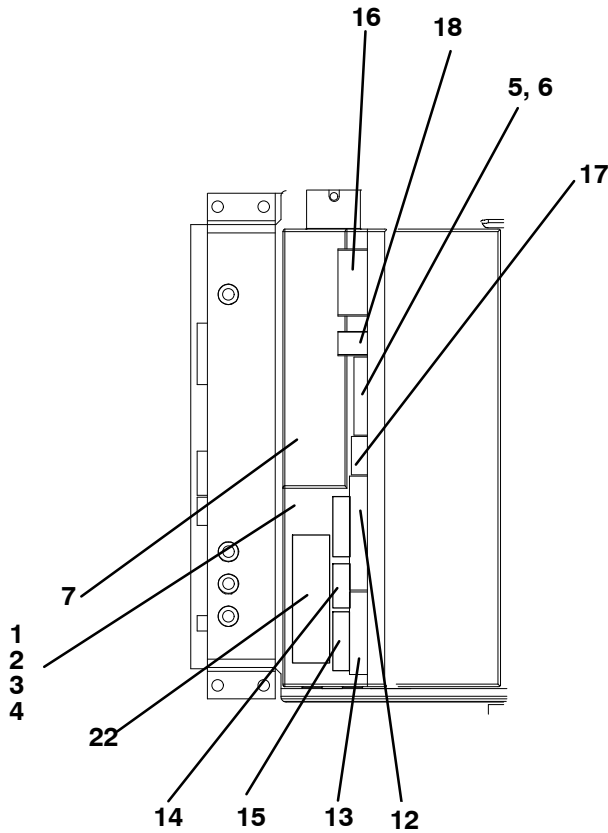


77-01696

Item	Part Number	Description	Qty
14	58-04276-00	Holder Supply Probe	1
15	58-04279-00	Cover Plastic, Probe	1
16	34-06053-03	Washer 0.250 ID X 1.000 OD	3
17	66U1-5371-7	Screw, Machine Hex Head #10-24 X 0.5000	2
18	66U1-5321-7	Washer, Plain 1/4 W Type A	2
19	66U1-5321-8	Washer, Plain #10 Type A	2
20	69NT35-2692-1	Washer, Fender 1/4	3
21	58-04273-00	Grommet Split	2
22	34-06053-00	Washer 0.250 ID X 0.800 OD	2
23	34-00928-04	Rivet, Blind	6
24	34-00928-20	Rivet, Blind	4
25	62-11270-14	Label, Warning Software Version 5348	2
26	62-11114-00	Tag Controller Software	1

77-01696-00

1.16 CONTROLLER MODULE SECTION AND SOFTWARE CARDS

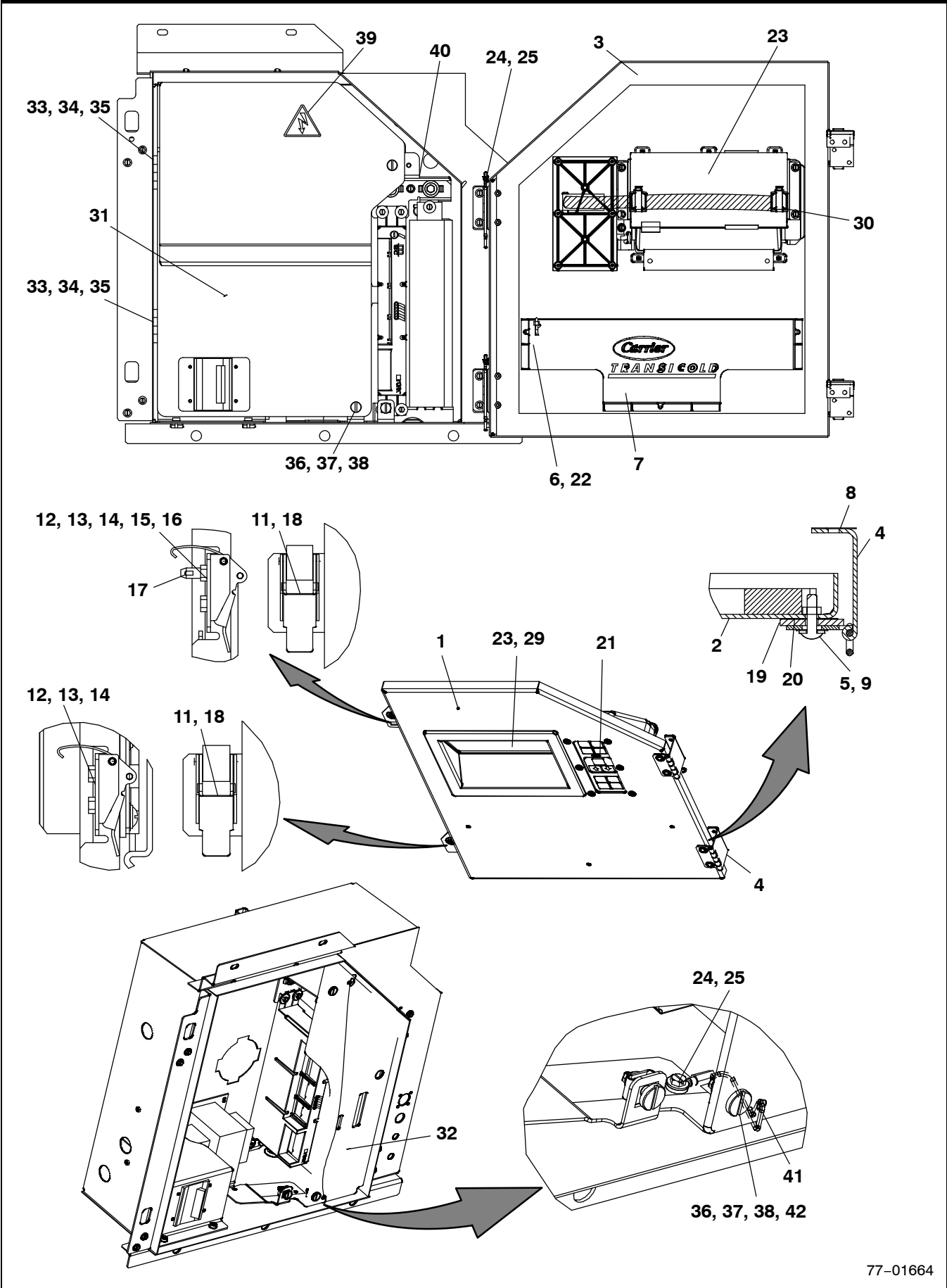


VIEW - BACK OF CONTROLLER/DataCORDER

1.16 CONTROLLER MODULE SECTION AND SOFTWARE CARDS (Continued)

Item	Part Number	Description	Qty
1	12-55009	Controller/DataCORDER Module – Includes:	1
2	66U1-5371-7	Screw, Hex Head, #10-24 X 1/2 Inches Long, SST	1
3	69NT35-2692	Washer, Fender, 0.063 Thick, SST	1
4	58-01184-00	Retainer, Screw, 0.141 ID	1
5	22-02336-08	Fuse, 7.5 Amp (F3A and F3B)	3
6	22-02336-02	Fuse, 5 Amp (F1 and F2)	1
7	62-02719-00	Label, Controller/DataCORDER Port	1
8	12-00594	Controller Operation Software Card (Latest version will be supplied)	1
9	12-00615	DataCORDER Operation Software Card (Latest version will be supplied)	1
10	Connector (EC A-K) (Refer to Section 1.33)		
11	Connector (EC L-Y) (Refer to Section 1.33)		
12	Connector (KA) – 14-Pin (Refer to Section 1.32)		
13	Connector (KB) – 10-Pin (Refer to Section 1.32)		
14	Connector (KD) – 4-Pin (Refer to Section 1.32)		
15	Connector (KE) – 5-Pin (Refer to Section 1.33)		
16	Connector (MA) – 12-Pin (Refer to Section 1.32)		
17	Connector (KH) – 6-Pin (Refer to Section 1.33)		
18	Connector (MC) – 8-Pin		
NS	09-00375-00	Battery, Real Time Clock, (Within the Controller)	1
19	10-01129-11	Switch, toggle ST	2
21	10-01129-05	Switch, Toggle CFS	1
22	10-01129-12	Switch, (Start/Stop)Toggle ON/OFF	1
RECHARGEABLE BATTERY OPTION			
23	30-00407-02SV	Rechargeable Battery Pack with Connector-Controller/DataCORDER Module	A/R
SECURE RECHARGEABLE BATTERY OPTION			
NOTE	76-50149-00	Rechargeable Battery Pack with Connector-Controller/DataCORDER Module	A/R
NOTE			
Refer to technical manual for battery location.			

1.17 CONTROLLER DOOR KIT, LATCH

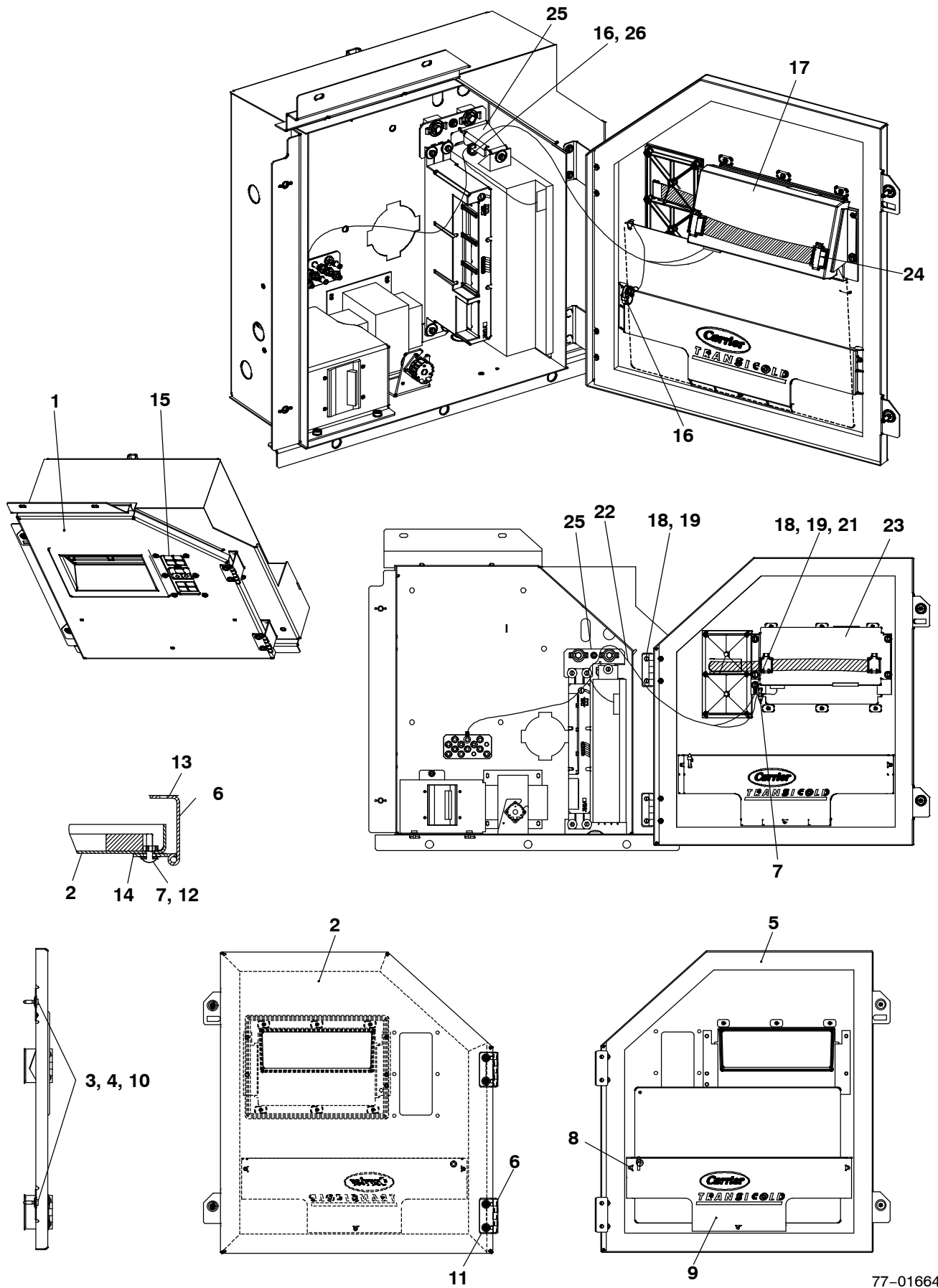


77-01664

1.17 CONTROLLER DOOR KIT, LATCH (Continued)			
Item	Part Number	Description	Qty
1	79-04018-01	Control Box Door Assembly, Latch Includes:	1
2	86-04987-01	Door, Control Box	1
3	42-00741-00	Gasket Control Box Door	1
4	44-00300-04	Hinge Assembly W/Tethered Pin	2
5	66U1-2403-1	Screw, Machine #10-24 X 0.750	4
6	34-06107-00	Rivet, Blind	3
7	58-04954-00	Pocket Placard	1
8	58-04101-02	Protector	2
9	34-06053-05	Washer	4
10	58-04366-00	Window Controller Door	1
11	58-04026-74	Protector Latch	2
12	34-00663-08	Washer, Lock #8 Spring	4
13	66U1-5321-2	Washer, Plain #8 Type A	4
14	66U1-6651-2	Screw, Machine Pan Head #8-32 X 1/2 Lg	3
15	66U1-6651-22	Screw, Machine Pan Head #8-32 X 3/4 Lg	1
16	34-66621-04	Washer, Lock Internal Tooth	1
17	48-66611-00	Pin, Guide Machined	1
18	44-66605-00	Latch	2
19	68-17461-00	Shim	2
20	58-04101-00	Protector	2
21	79-66669-00	Key Pad Assembly Includes:	1
	NSS	Key Pad 69Nt Core Micro	1
	NSS	Plate, Backup	1
	NSS	Gasket, Keypad	1
	NSS	Washer, Plain #10 Type A	6
	NSS	Screw, Tf Pan Head #10-9 X.75	6
	NSS	Indicator Dot	1
22	66U1-3882	Wire Tie 1/16-1-3/4 Self locking	3
23	12-00433-05	Display Module	1
24	66U1-5371-7	Screw, Machine Hex Head #10-24 X 0.500	9
25	66U1-5321-8	Washer, Plain #10 Type A	9
26	66U1-5371-6	Screw, Machine Hex Head #10-24 X 0.750	2
27	AU27JR131	Washer, Lock #10 Ext Tooth	3
28	22-01713-49	Harness	1
29	58-04960-00	Rain Shield	1
30	44-00391-00	Clamp	2
31	79-04046-00	Shield, Hi-Volt Std	1
32	79-04047-00	Shield, Low Voltage	1
33	66U1-2403	Screw, Machine #10-24 X 0.500	2
34	44-00473-00	Hinge High Volt Shield	2
35	34-00928-20	Rivet, Blind	4
36	34-06139-01	Stud 1/4" Retaining	3
37	34-06139-00	Retainer 1/4" Stud	3
38	34-06139-04	Receptacle 1/4" Retaining	3
39	62-03957-04	Decal, Warning High Voltage	1
40	68-17228-00	Bracket	1
41	69NT35-636-6	Tether Assembly	1
42	68-17298-00	Bracket	1

77-01664-01

1.17 CONTROLLER DOOR KIT, SCREW

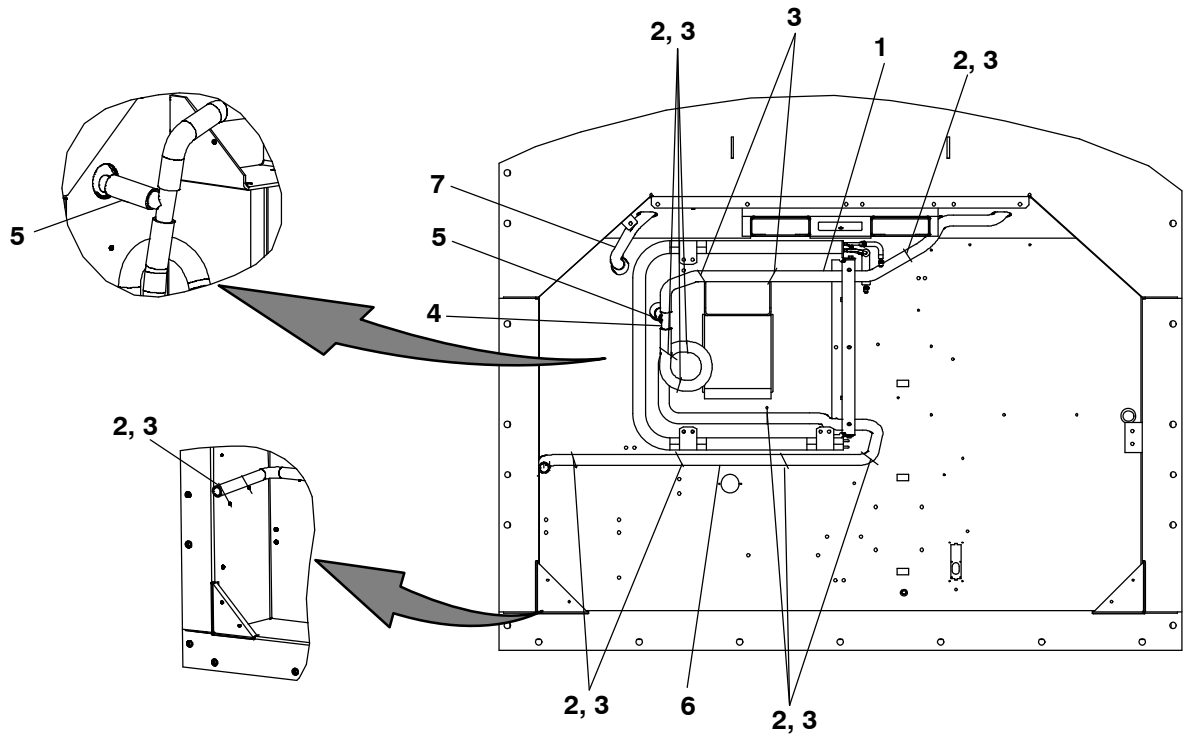


77-01664

1.17 CONTROLLER DOOR KIT, SCREW (Continued)			
Item	Part Number	Description	Qty
1	79-04018-00	Control Box Door Assembly, Phillips Screw Includes;	1
2	86-04987-00	Door, Control Box	1
3	66U1-6811-12	Screw, Retaining .300-.625 Phillips	2
4	34-06169-00	Washer, Retaining 0.185 ID X 0.62 OD	2
5	42-00741-00	Gasket Control Box Door	1
6	44-00477-00	Hinge Staked Pin	2
7	66U1-2403-1	Screw, Machine Trhd #10-24 X .750 Sltd	4
8	34-06107-00	Rivet, Blind .125 Diameter .188-.250	3
9	58-04954-00	Pocket, Placard	1
10	34-06053-00	Washer 0.250 ID X 0.800 OD	4
11	58-04101-02	Protector	2
12	34-06053-05	Washer .205 ID X0 .600 OD	4
13	58-04366-00	Window Controller Door	1
14	58-04101-00	Protector	2
15	79-66669-00	Key Pad Assembly Includes:	1
	NSS	Key Pad 69Nt Core Micro	1
	NSS	Plate, Backup	1
	NSS	Gasket Keypad	1
	NSS	Washer, Plain #10 Type A	6
	NSS	Screw, Pan Head #10-9 X.75	6
	NSS	Indicator Dot	1
16	66U1-3882	Wire Tie	3
17	12-00433-03RP	Module 69Ne/Nt Display	1
18	66U1-5371-7	Screw, Machine Hex Head #10-24 X 0.500 Sltd	9
19	66U1-5321-8	Washer, Plain #10 Type A	9
20	66U1-5371-6	Screw, Machine Hex Head #10-24 X 0.750	2
21	AU27JR131	Washer, Lock #10 Ext Tooth	1
22	22-01713-49	Harness	1
23	58-04960-00	Rain Shield	1
24	44-00391-00	Clamp	2
25	68-16735-00	Bracket	1
26	58-04316-00	Base, Mounting	1

77-01664-00

1.18 DRAIN KIT

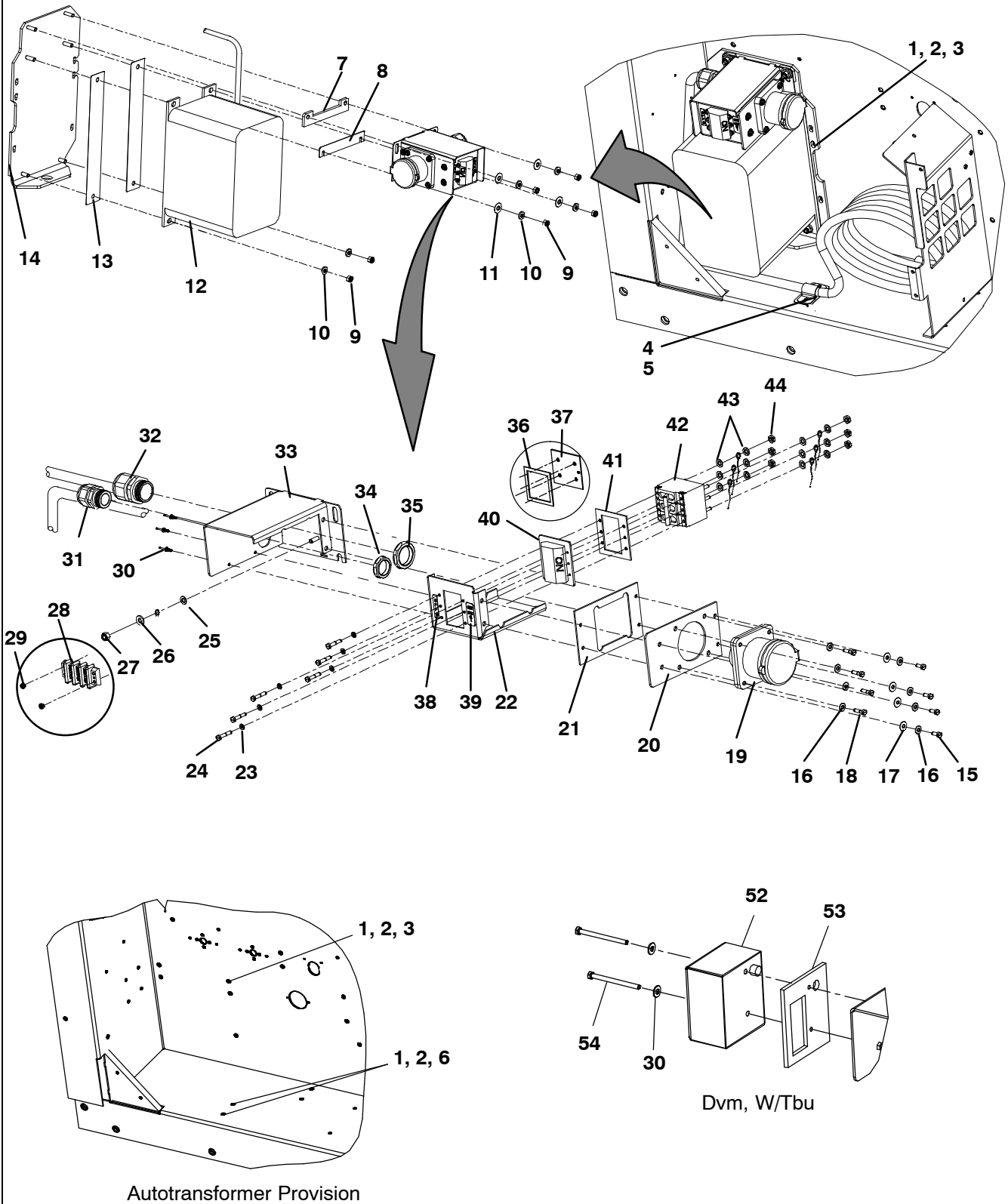


77-01699

Item	Part Number	Description	Qty
1	58-04539-12	Tube, Flexible Std. 44"	1
2	58-04316-00	Base, Mounting .250 Diameter Mounting Hole	11
3	66U1-3882	Wire Tie /16-1-3/4 Self locking	13
4	58-04202-02	Tee 1.00 OD Drain	1
5	58-04539-10	Tube, Flexible Std. 3"	1
6	58-04539-13	Tube, Flexible Std. 109"	1
7	58-04539-11	Tube, Flexible Std. 12"	1

77-01699-00

1.19 AUTOTRANSFORMER



1.19 AUTOTRANSFORMER (Continued)**STANDARD PARTS INCLUDED IN OPTIONS**

Item	Part Number	Description	Qty
1	66U1-5321-7	Washer, Plain, 1/4 W Type A	7
2	34-06053-00	Washer, Mylar, 0.250 ID X 0.800 OD	5
3	AA06JA170	Screw, Hex Head, 1/4-20 X 1.00	7
4	58-04026-07	Protector, Mylar	1
5	68-14456-02	Cable Cutter	1
6	66U1-5361-25	Screw, Cap Hex Head 1/4-20 X 0.75	2

AUTOTRANSFORMER WITHOUT CB2

See Previous Section for Standard Parts and use with Item Below

-	76-00667-07	Transformer Kit, Field Installation, Without CB2 - Includes:	1
7	58-04026-25	Protector, 1.00 X 6.62, With Two Slots	1
8	69NT35-2086	Spacer, 0.25 Thick Aluminum	1
9	34-00667-12	Nut, Self-Locking, 5/16-18	6
10	34-01181-01	Washer, Flat 0.320/0.330 ID	6
11	34-06053-02	Washer, 0.375 ID X 1.000 OD	4
12	69NT40-914-4	Transformer Assembly	1
13	58-04026-17	Protector, 2.00 X 13.0 With Two Holes	2
14	69NT43-374	Bracket Assembly DV Transformer Module	1
15	66U1-5371-7	Screw, Machine, Hex Head, #10-24 X 0.500 Slotted	4
16	66U1-5321-8	Washer, Plain #10 Type A	8
17	34-06053-05	Washer 0.205 ID X 0.600 OD	4
18	66U1-5371-6	Screw, Machine, Hex Head, #10-24 X 0.750 Slotted	4
19	22-01679-00	Receptacle 32 Amp/Bryant	1
20	69NT41-892	Cover Assembly Transformer Module, Receptacle	1
21	42-00328-00	Gasket, 0.094 Thick X 3.60 X 5.74	1
22	69NT43-282	Box Assembly Transformer Module, CB2	1
23	34-06053-10	Washer 0.138 ID X 0.343 OD	4
24	66U2-1531-3	Screw, Machine, Round Head #6-32 X 0.375 Inches Long SS	4
25	AU27JR171	Washer, Lock, 1/4 Ext Tooth	1
26	66U1-5321-3	Washer, Plain, 1/4 N Type A	1
27	34-00667-11	Nut, Self-Locking, 1/4-20	1
28	22-01778-00	Terminal, Block Three Terminal	1
29	34-00795-09	Nut, Self-Locking, 10-32	2
30	34-00928-02	Rivet, Blind, 0.125 Inch Diameter 0.126-0.187	3
31	22-02319-05	Connector, Straight, 3/4 Hub	1
32	22-02319-06	Connector, Straight, 0.590/1.00 Inch Diameter	1
33	69NT43-270-1	Box Assembly, Weld DV Transformer Module	1
34	34-06136-01	Nut, Lock, 3/4 NPT	1
35	34-06136-02	Nut, Lock, 1.00 NPT	1
36	42-00366-00	Gasket, 0.094 Thick, 3.20 X 3.200	1
37	68-13832-00	Plate Assembly, 0.090 Thick Aluminum	1

1.19 AUTOTRANSFORMER (Continued)**AUTOTRANSFORMER WITH CB2**

See Previous Page for Standard Parts and use with Items Below

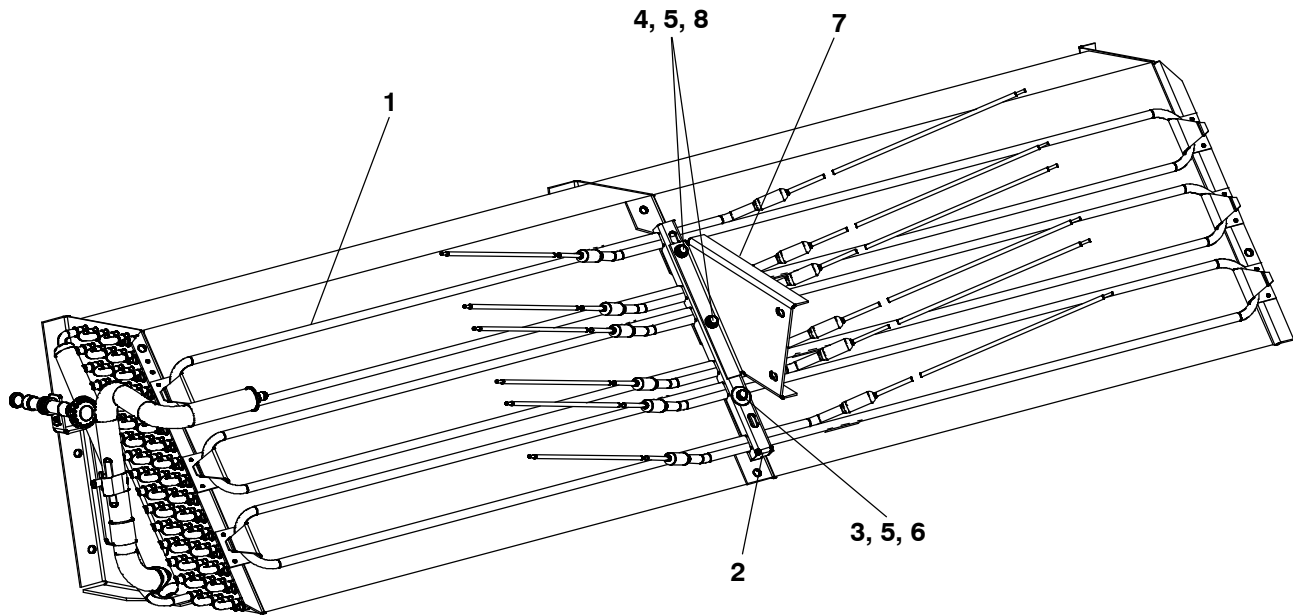
Item	Part Number	Description	Qty
-	76-00667-03	Transformer Kit, Field Installation, With CB2 - Includes:	1
7	58-04026-25	Protector 1.00 X 6.62, With Two Slots	1
8	69NT35-2086	Spacer, 0.25 Thick Aluminum	1
9	34-00667-12	Nut, Self-Locking, 5/16-18	6
10	34-01181-01	Washer, Flat 0.320/0.330 ID	6
11	34-06053-02	Washer, 0.375 ID X 1.000 OD	4
12	69NT40-914-4	Transformer Assembly	1
13	58-04026-17	Protector, 2.00 X 13.0, With Two Holes	2
14	69NT43-374	Bracket Assembly DV Transformer Module	1
15	66U1-5371-7	Screw, Machine, Hex Head, #10-24 X 0.500 Slotted	4
16	66U1-5321-8	Washer, Plain #10 Type A	8
17	34-06053-05	Washer 0.205 ID X 0.600 OD	4
18	66U1-5371-6	Screw, Machine, Hex Head, #10-24 X 0.750 Slotted	4
19	22-01679-00	Receptacle 32 Amp/Bryant	1
20	69NT41-892	Cover Assembly Transformer Module, Receptacle	1
21	42-00328-00	Gasket, 0.094 Thick X 3.60 X 5.74	1
22	69NT43-282	Box Assembly, Transformer Module, CB2	1
23	34-06053-10	Washer, 0.138 ID X 0.343 OD	6
24	66U2-1531-3	Screw, Machine, Round Head, #6-32 X 0.375 Inches Long, SST	6
25	AU27JR171	Washer, Lock 1/4 Ext Tooth	1
26	66U1-5321-3	Washer, Plain 1/4 N Type A	1
27	34-00667-11	Nut, Self-Locking, 1/4-20	1
30	34-00928-02	Rivet, Blind, 0.125 Inch Diameter, 0.126-0.187	3
31	22-02319-05	Connector, Straight, 3/4 Hub	1
32	22-02319-06	Connector, Straight, 0.590/1.00 Inch Diameter	1
33	69NT43-270	Box Assembly, Weld DV Transformer Module	1
34	34-06136-01	Nut, Lock, 3/4 NPT	1
35	34-06136-02	Nut, Lock, 1.00 NPT	1
38	69NT35-1076	Label, On/Off (0.35 X 1.55)	1
39	69NT35-1076-1	Label, CB2, 230V On/Off	1
40	66U2-1531-1	Boot, 2.66 X 2.97, Black	1
41	68-13961-00	Boot, Frame, 0.090 Thick Aluminum	1
42	10-00083-06	Circuit Breaker, 70A-250 VAC-50/60Hz	1
43	10-00083-07	Nut, Hex, 1/4-20	6
44	10-00083-08	Washer, Flat, 1/4 (Circuit Breaker)	12

AUTOTRANSFORMER WITH DVM, TBU, & CB2**See Previous Page for Standard Parts and use with Items Below**

Item	Part Number	Description	Qty
-	76-00667-12	Transformer Kit, Dvm, W/Tbu & Cb2 Field Installation – Includes:	1
7	58-04026-25	Protector 1.00 X 6.62, With Two Slots	1
8	69NT35-2086	Spacer, 0.25 Thick Aluminum	1
9	34-00667-12	Nut, Self-Locking, 5/16-18	6
10	34-01181-01	Washer, Flat 0.320/0.330 ID	6
11	34-06053-02	Washer, 0.375 ID X 1.000 OD	4
12	69NT40-914-4	Transformer Assembly	1
13	58-04026-17	Protector, 2.00 X 13.0, With Two Holes	2
14	69NT43-374-1	Bracket Assembly	1
15	66U1-5371-7	Screw, Machine, Hex Head, #10-24 X 0.500 Slotted	4
16	66U1-5321-8	Washer, Plain #10 Type A	10
17	34-06053-05	Washer 0.205 ID X 0.600 OD	6
18	66U1-5371-6	Screw, Machine, Hex Head, #10-24 X 0.750 Slotted	4
19	22-01679-00	Receptacle 32 Amp/Bryant	1
20	69NT41-892	Cover Assembly Transformer Module, Receptacle	1
21	42-00328-00	Gasket, 0.094 Thick X 3.60 X 5.74	1
22	69NT43-282	Box Assembly, Transformer Module, CB2	1
23	34-06053-10	Washer, 0.138 ID X 0.343 OD	6
24	66U2-1531-3	Screw, Machine, Round Head, #6-32 X 0.375 Inches Long, SST	6
25	AU27JR171	Washer, Lock 1/4 Ext Tooth	1
26	66U1-5321-3	Washer, Plain 1/4 N Type A	1
27	34-00667-11	Nut, Self-Locking, 1/4-20	1
31	22-02319-05	Connector, Straight, 3/4 Hub	1
32	22-02319-06	Connector, Straight, 0.590/1.00 Inch Diameter	1
33	69NT43-270-2	Box Assembly, Weld DV Transformer Module	1
34	34-06136-01	Nut, Lock, 3/4 NPT	1
35	34-06136-02	Nut, Lock, 1.00 NPT	1
45	69NT35-1076	Label, On/Off (0.35 X 1.55)	1
46	69NT35-1076-1	Label, CB2, 230V On/Off	1
47	66U2-1531-1	Boot, 2.66 X 2.97, Black	1
48	68-13961-00	Boot, Frame, 0.090 Thick Aluminum	1
49	10-00083-06	Circuit Breaker, 70A-250 VAC-50/60Hz	1
50	10-00083-07	Nut, Hex, 1/4-20	6
51	10-00083-08	Washer, Flat, 1/4 (Circuit Breaker)	12
52	12-00474-01	Box Assembly Transformer	1
53	42-00471-01	Gasket	1
54	34-06221-00	Screw, Hex Head 10-24 X 2.50	2

77-01699-05

1.20 HEATER KIT

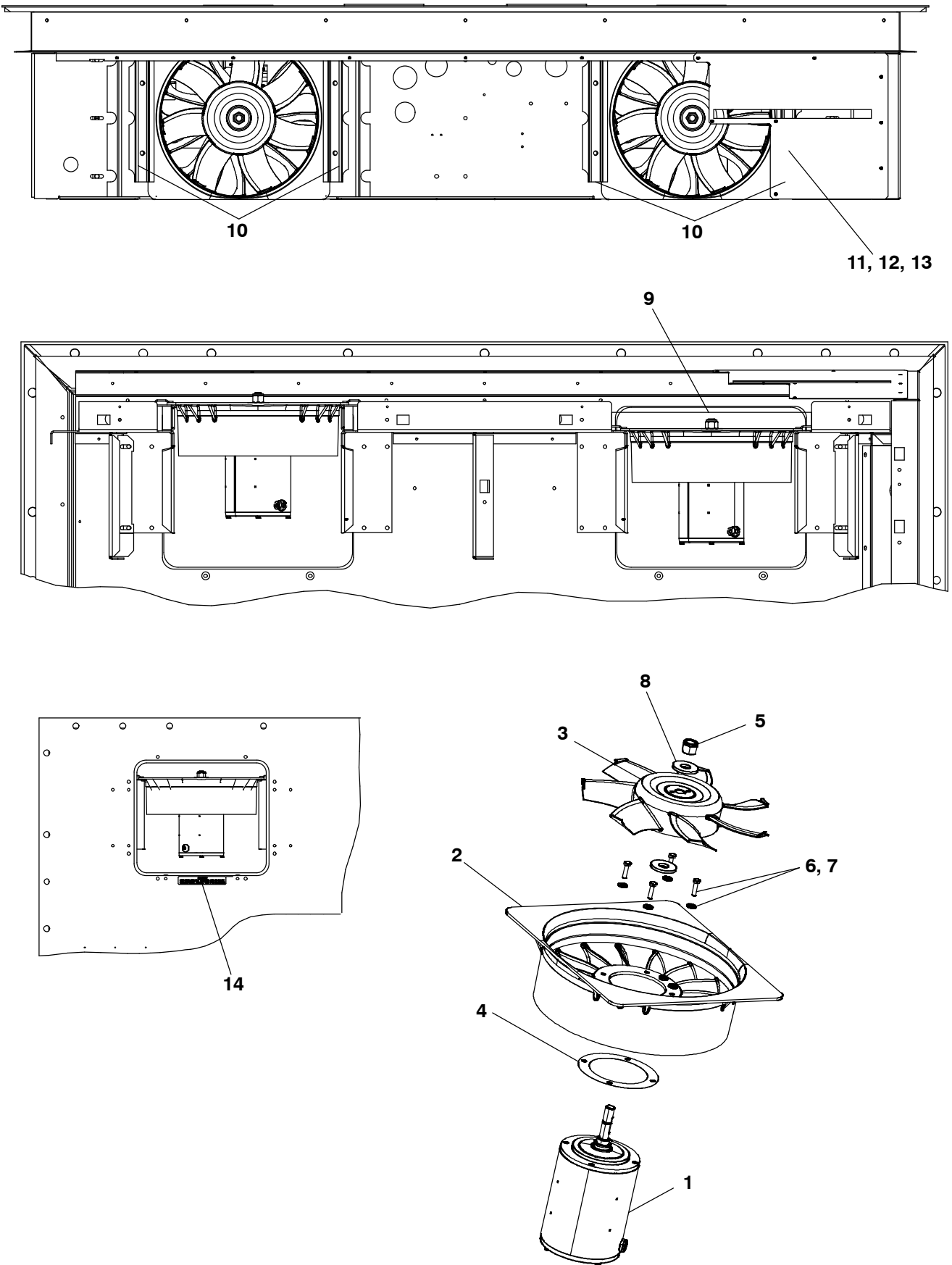


77-01614

Item	Part Number	Description	Qty
1	24-66603-00	Defrost Heater	6
2	86-04956-00	Retainer Assembly	1
3	69NT35-2692-1	Washer, Fender 1/4-.993-1.015 OD	1
4	34-00655-12	Screw, Cap Hex Head 1/4-20 X 1.50	2
5	34-00663-11	Washer, Lock 1/4 Spring	3
6	34-00655-10	Screw, Cap Hex Head 1/4-20 X 1.25	1
7	68-16894-00	Bracket	1
8	66U1-5321-3	Washer, Plain 1/4 N Type A	2

77-01614-00

1.21 EVAPORATOR FAN AND MOTOR KIT



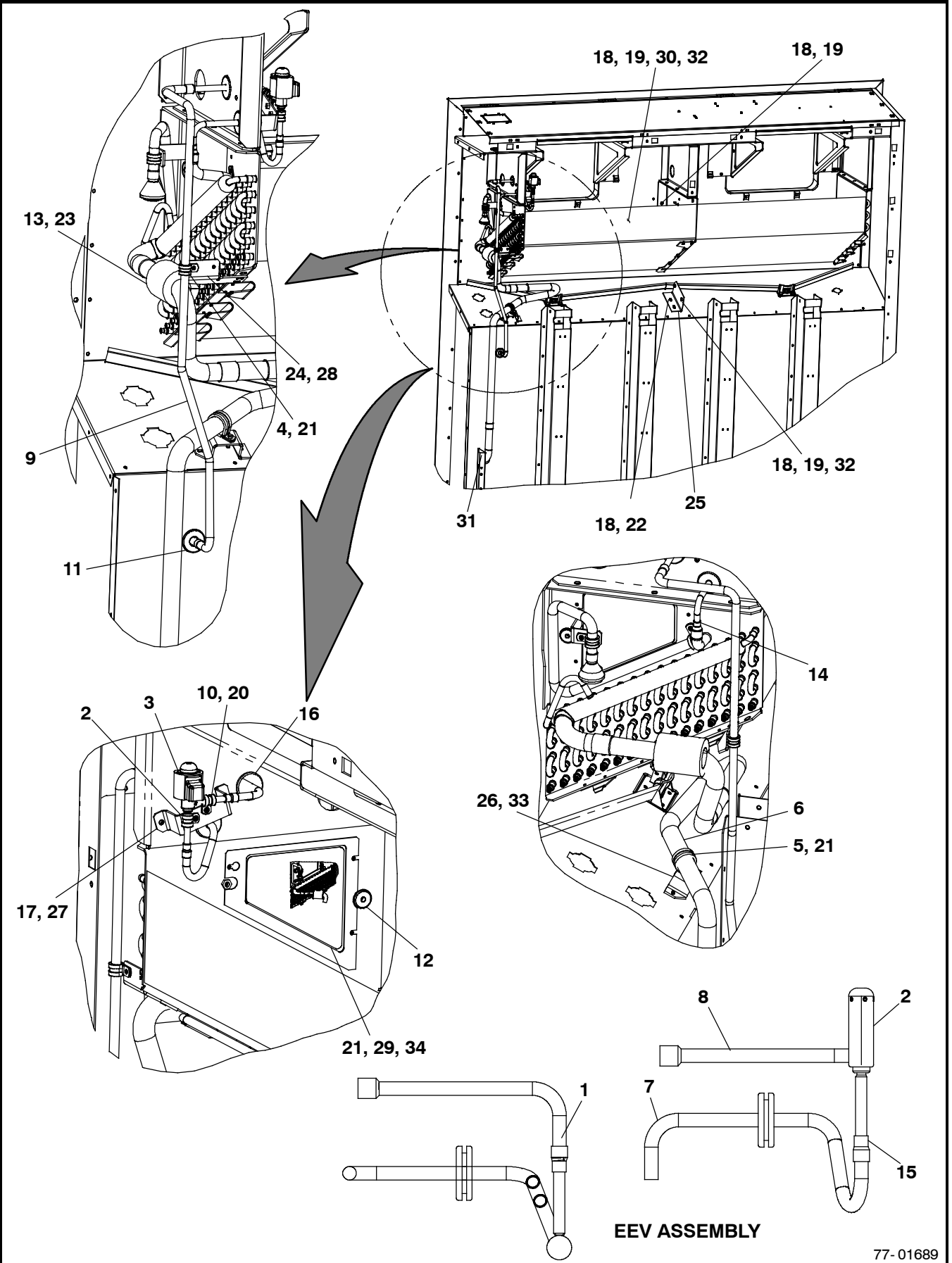
77-66667

1.21 EVAPORATOR FAN AND MOTOR KIT (Continued)

Item	Part Number	Description	Qty
1	54-00648-20	Evaporator Motor	2
2	48-00413-01	Stator	2
3	38-00599-00	Evaporator Fan	2
4	58-04770-00	Protector	2
5	34-00795-17	Nut, Self Lock	2
6	34-06165-08	Screw, Cap Hex Head 1/4-20X1.00	8
7	66U1-5321-3	Washer, Plain 1/4 N Type A	8
8	34-00616-06	Washer, Special 5/8, 18-8	4
9	66U1-2552-185	Gasket .75 Thick X 1.5X16.63	1
10	69NT43-295	Bracket Assembly	4
11	34-00655-08	Screw, Cap Hex Head 1/4-20 X 1.00	4
12	34-00663-11	Washer, Lock 1/4 Spring	4
13	69NT35-2692-1	Washer, Fender 1/4	4
14	62-11602-00	Label Motor	2

77-66667-01,04

1.22 EVAPORATOR TUBING AND COIL

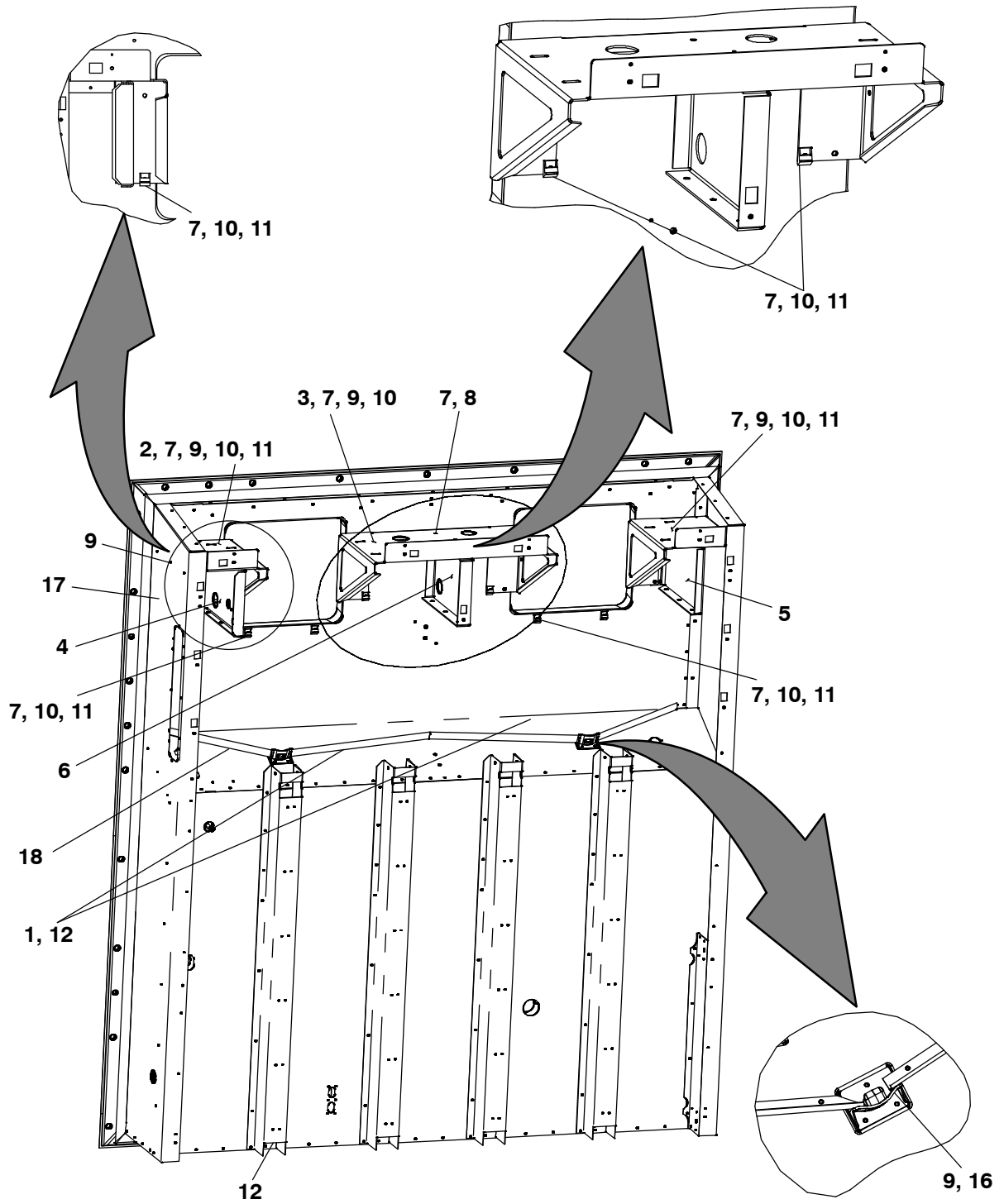


77-01689

1.22 EVAPORATOR TUBING AND COIL (Continued)			
Item	Part Number	Description	Qty
1	14-00176-01	Strainer 100 Mesh, 3/8 OD	1
2	14-00393-00	Valve, EEV	1
3	14-00393-10	Coil, EEV	1
2	14-00435-00	Valve, EEV (PIDs 2591 and 2751 only)	1
3	14-00435-01	Coil, EEV (PIDs 2591 and 2751 only)	1
4	44-00370-03	Clamp, Cushioned	1
5	44-00370-08	Clamp, Cushioned	1
6	56-09195-00	Tube, Suction 1-1/8 OD X .050	1
7	56-09141-00	Tube 3/8 OD X .028	1
8	56-09087-00	Tube, Liquid 3/8 OD X .028	1
9	56-09160-00	Tube, Liquid .500 OD X .035	1
10	34-00373-52	Clamp, Tube	2
11	58-00065-56	Grommet Neoprene	1
12	58-00065-46	Grommet	1
13	42-00425-109	Insulation, Tube Pre-Taped	1
14	40-66629-00	Bushing 5/8 X 3/8	1
15	40-66628-03	Coupling 3/8C X 5/16	2
16	58-00065-91	Grommet	2
17	66U1-5371-6	Screw, Machine Hex Head #10-24 X 0.750 Sltd	2
18	66U1-5321-3	Washer, Plain 1/4 N Type A	15
19	66U1-5361-25	Screw, Cap Hex Head 1/4-20 X 0.75	13
20	66U1-5371-7	Screw, Machine Hex Head #10-24 X 0.500	2
21	66U1-5381-1	Screw, Hex Head #10-24 X.75L	5
22	34-06269-12	Screw, Lag 1/4-10 X 1.50 Hex Head	2
23	66U1-3882-3	Wire Tie	2
24	66U1-5381-3	Screw, Hex Head Sltd #10-24 X0.63L	2
25	68-16893-00	Bracket	1
26	68-17190-00	Bracket	1
27	68-16892-00	Bracket	1
28	68-16715-00	Bracket	1
29	68-17089-00	Plate, Cover	1
30	81-04186-20	Evaporator Coil Assembly	1
31	42-00183-08	Trim, Flexible	1
32	34-00663-11	Washer, Lock 1/4 Spring	11
33	34-00928-09	Rivet, Blind	2
34	62-11750-00	Label Sensor Replacement	1

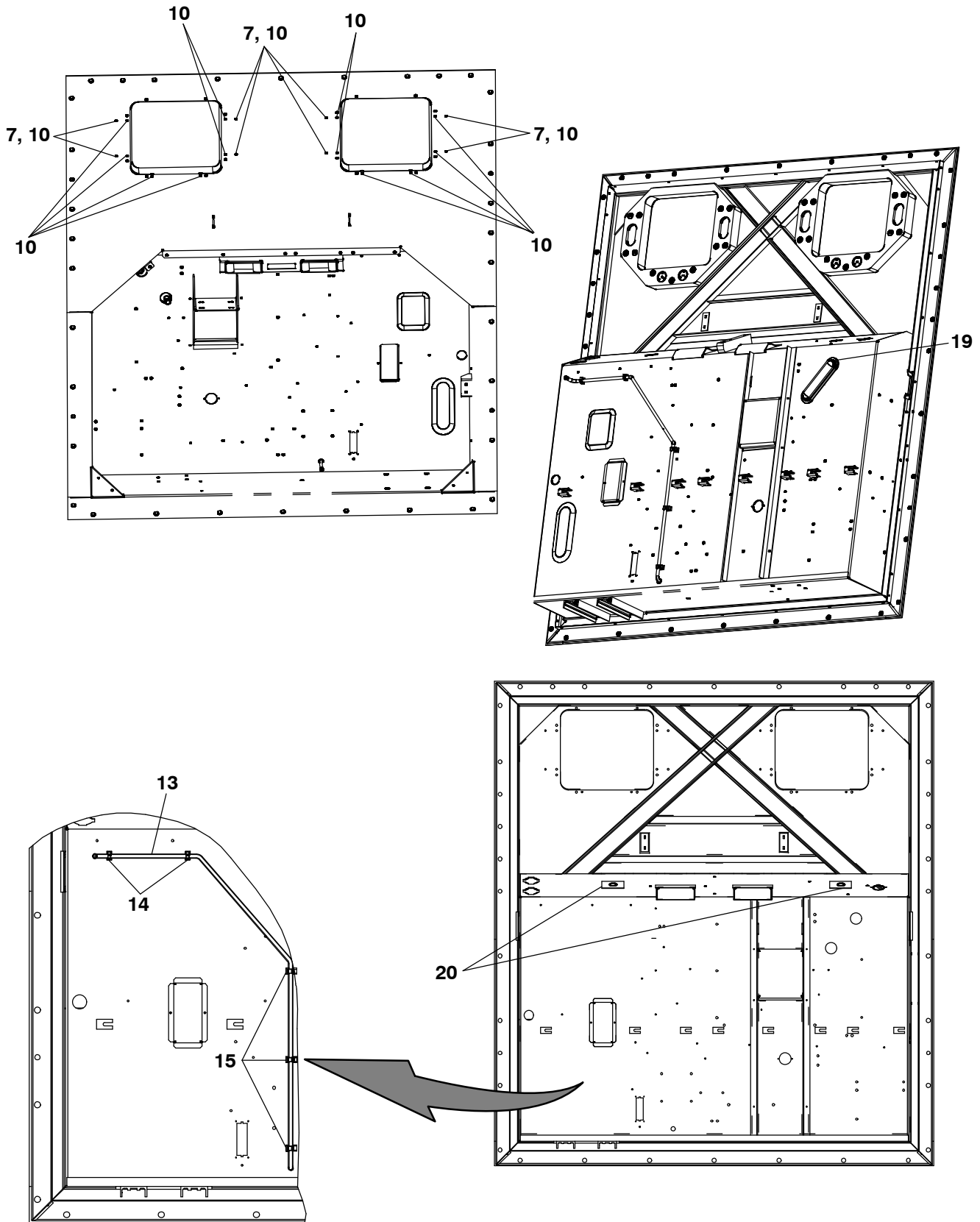
77-01689-00

1.23 FRAME KIT



77-01690

1.23 FRAME KIT (Continued)

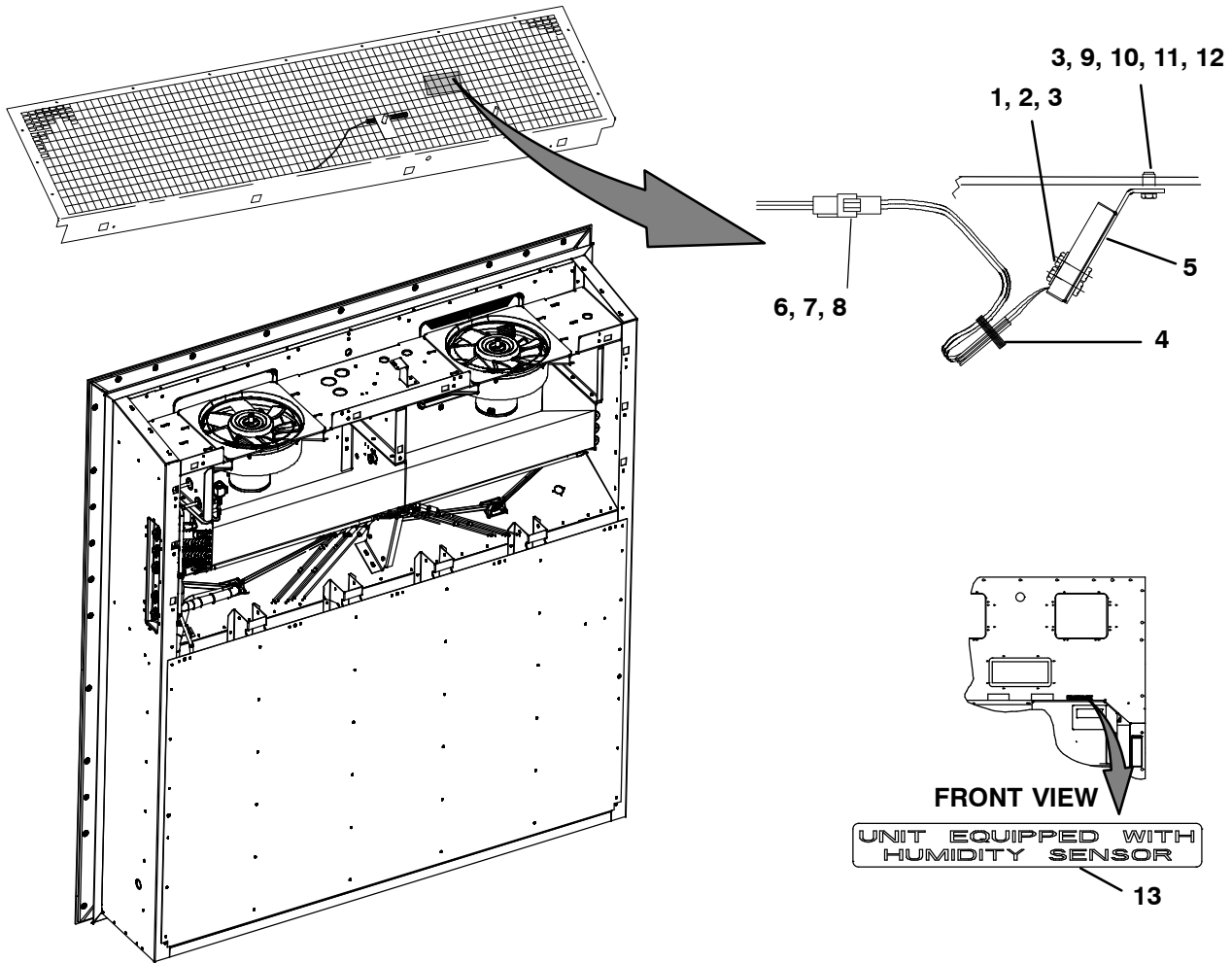


77-01690

1.23 FRAME KIT (Continued)			
Item	Part Number	Description	Qty
1	68-17345-00	Gutter	2
2	68-16696-00	Fan Deck	1
3	68-17419-00	Fan Deck Assembly	1
	68-17419-01	Fan Deck Assembly (No Extend Fresh Option)	1
4	68-16891-00	Panel	1
5	68-16767-00	Panel Assembly	1
6	68-17145-00	Panel Assembly	1
7	66U1-5321-3	Washer, Plain 1/4 N Type A	35
8	66U1-5361-25	Screw, Cap Hex Head 1/4-20 X 0.75	9
9	34-00928-09	Rivet, Blind	19
10	34-00655-10	Screw, Cap Hex Head 1/4-20 X 1.25	32
11	69NT35-2692-1	Washer, Fender 1/4	11
12	34-00928-07	Rivet, Blind	159
13	56-09065-00	Tube, Liquid	1
14	44-66608-00	Clip, Retaining	2
15	44-66608-01	Clip, Retaining	3
16	58-04968-00	Fitting Drain Tube, 45 Degree	2
17	68-17201-00	Channel .063 Thick Aluminum	1
18	68-17188-00	Gutter .040 Thick Aluminum	1
19	58-04990-00	Fitting Drain	1
20	42-00570-00	Gasket	2

77-01690-00,02

1.24 HUMIDISTAT KIT

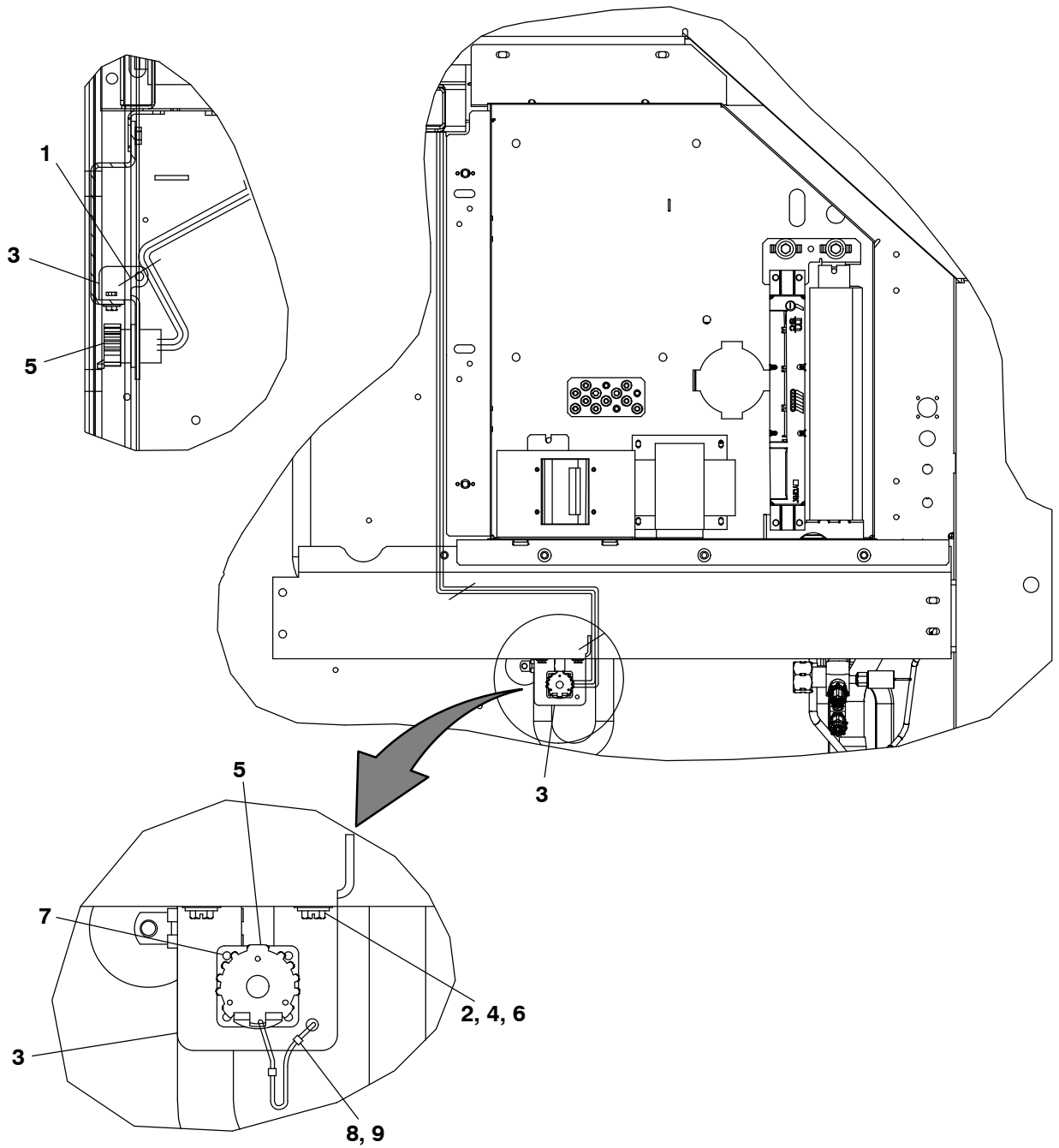


77-01009

Item	Part Number	Description	Qty
1	12-00686-00	Humidity Sensor	1
2	66U1-5371-10	Screw, Machine Hex Head #10-24 X 1.00	4
3	66U1-5321-8	Washer, Plain #10 Type A	4
4	66U1-3882	Wire Tie	1
5	68-13181-01	Bracket Assembly Humidity Sensor	1
6	22-01613-06	Plug 3 Pin	1
7	22-01613-07	Lock, Secondary 3 Pin (P)	1
8	22-01613-13	Contact Socket	3
9	AU27JR131	Washer, Lock #10 Ext Tooth	2
10	34-06051-32	Rivnut	2
11	66U1-5371-7	Screw, Machine Hex Head #10-24 X 0.500	2
12	66U1-5321-7	Washer, Plain 1/4 W Type A	2
13	69NT-35-3907	Label Humidity Sensor	1

77-01009-11

1.25 INTERROGATE KIT

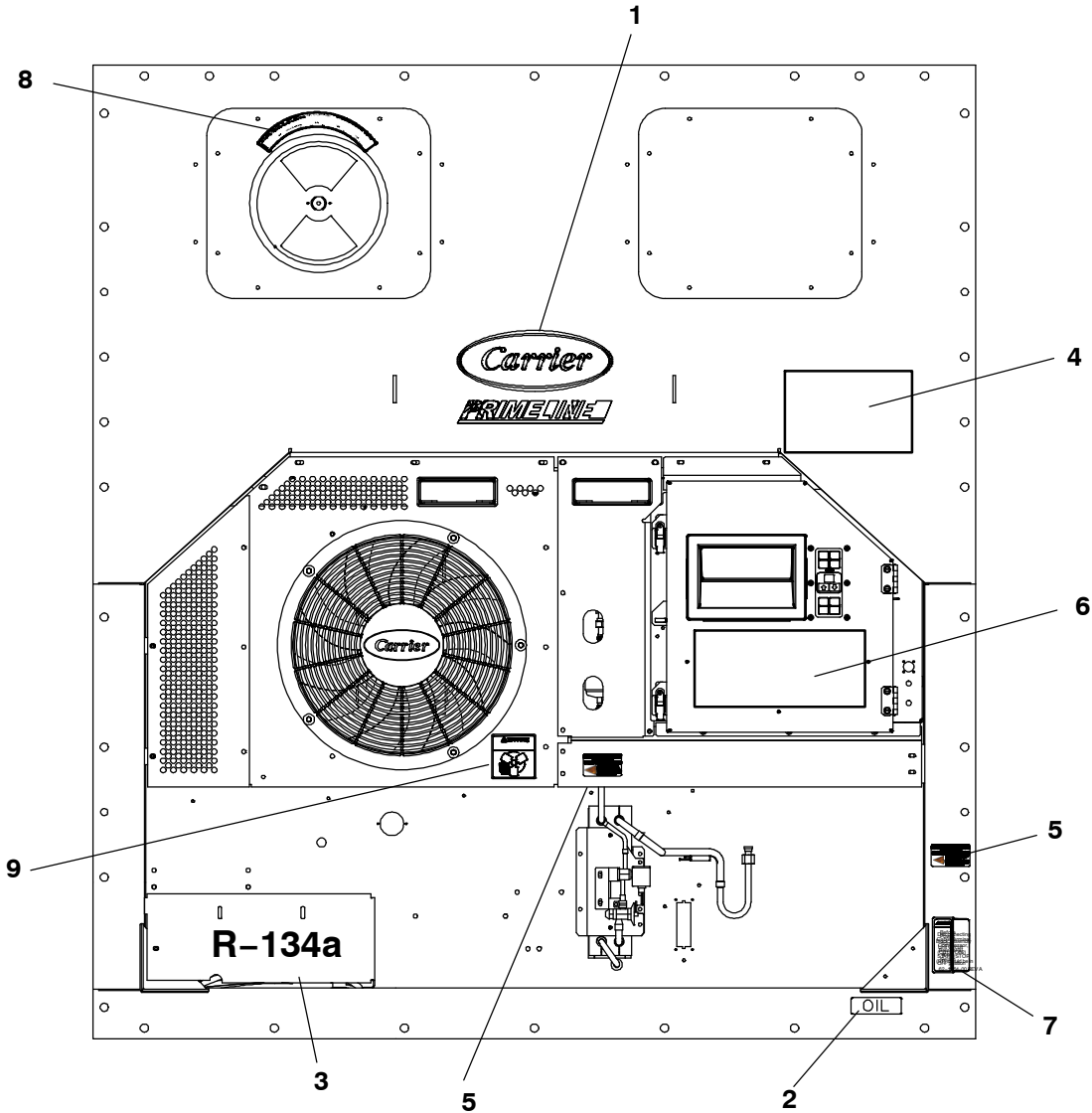


77-01608

Item	Part Number	Description	Qty
1	66U1-3882	Wire Tie 1/16-1-3/4	4
2	66U1-5321-8	Washer, Plain #10 Type A	2
3	68-17021-00	Bracket	1
4	66U1-5371-7	Screw, Machine Hex Head #10-24 X 0.500	2
5	22-01660-05	Dust Cap	1
6	34-06053-05	Washer .205 ID X .600 OD	2
7	34-06142-00	Rivet	4
8	58-01097-00	Cord, Nylon	1
9	22-02205-00	Connector	2

77-01608-01

1.26 LABEL KIT

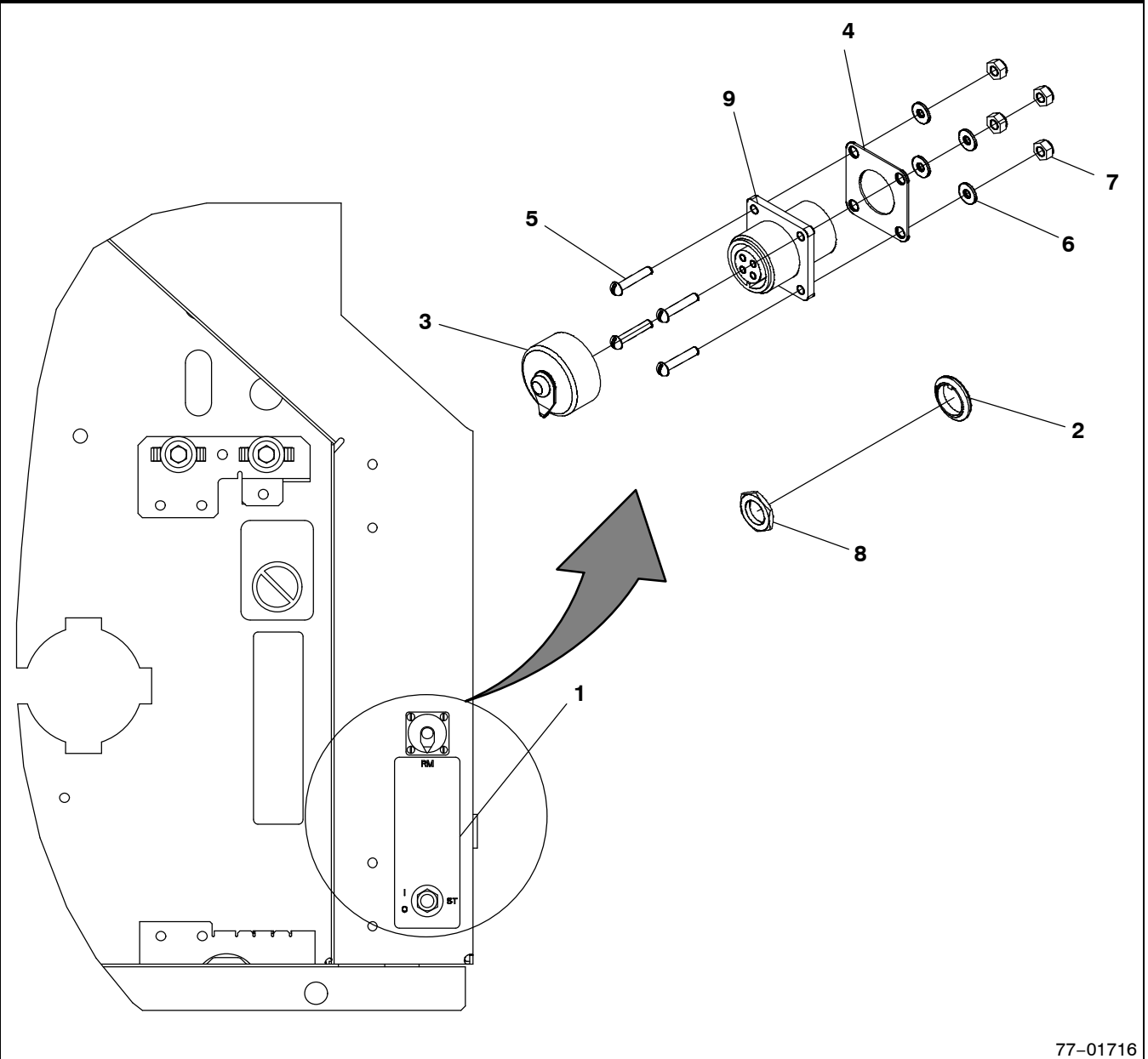


77-01691

Item	Part Number	Description	Qty
1	62-11424-00	Label, Carrier	1
2	62-11263-02	Label, Poe Compressor Oil	1
3	62-11252-00	Label, R-134A	1
4	62-66682-01	Label, Pti	1
5	62-66081-00	Label, Warning Refrig (R-134A)	2
6	62-11739-00	Label, Code-Ctn (English)	1
	62-11739-03	Label, Code-Ctn (English, Traditional Chinese)	1
	62-11739-04	Label, Code-Ctn (English, Traditional Chinese, Japanese)	1
7	62-11264-01	Label, Compressor Warning	1
8	62-02723-21	Label Upper Fresh Air	1
9	62-11735-04	Label Fan Warning	1

77-01690-00,03,04,05

1.27 PANEL KIT



77-01716

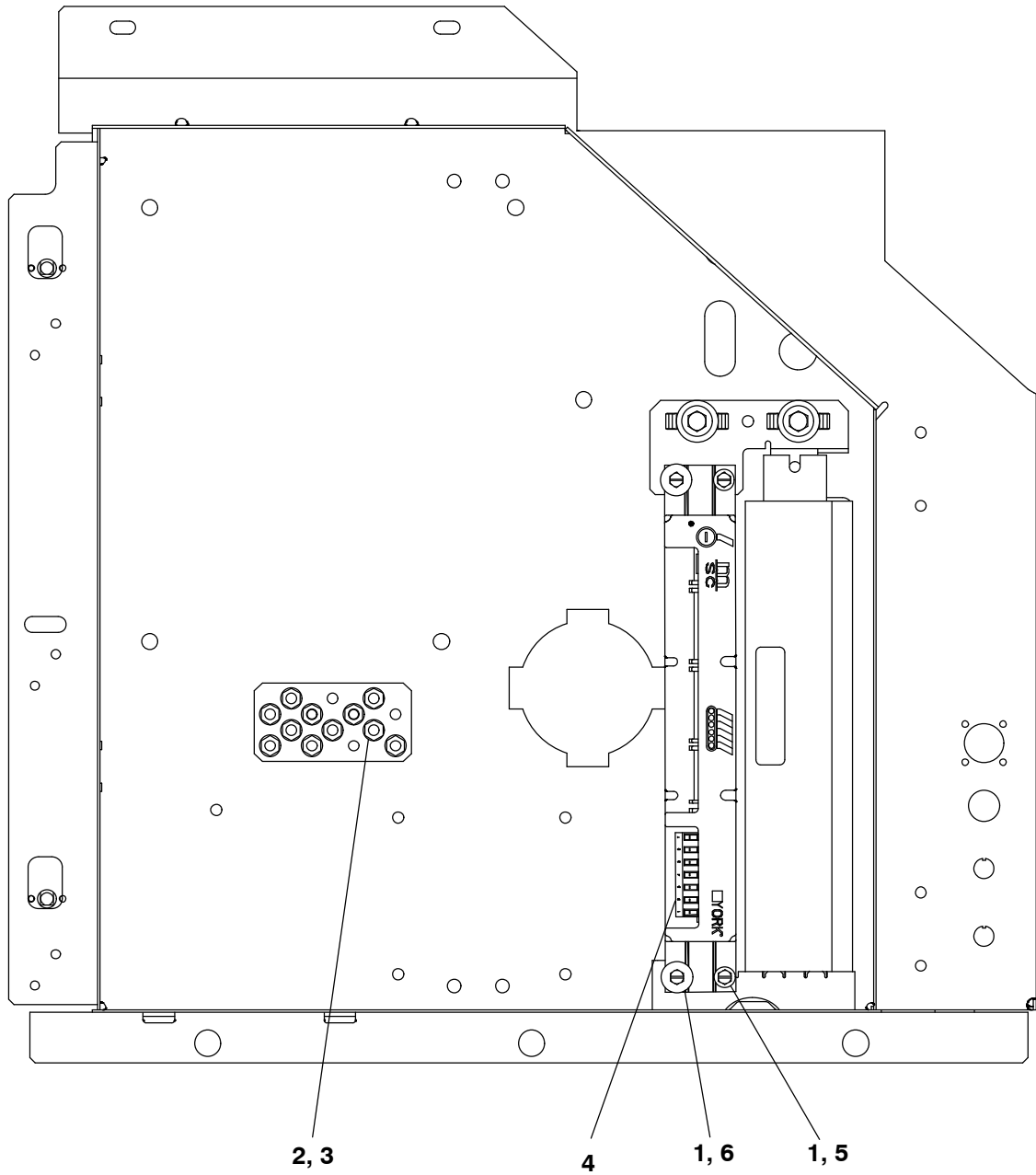
Item	Part Number	Description	Qty
1	62-11731-01	Label St, Rm/Switch	1
2	66U1-9752	Seal	1
3	22-02341-01	Cap & Tether Receptacle Assembly	1
4	MS510074	Gasket	1
5	34-00848-10	Screw, Machine	4
6	66U1-5321-6	Washer, Plain .125 ID Type A	4
7	34-00667-05	Nut, Self Lock	4
8	10-01129-20	Nut, Hex 15/32-32	1
9	22-01604-00	Receptacle 4 Connections	1

NO RM RECEPTICAL

1	62-11731-00	Label St, Rm/Switch	1
2	66U1-9752	Seal	1
8	10-01129-20	Nut, Hex 15/32-32	1

77-01716-00,01

1.28 RMU KIT

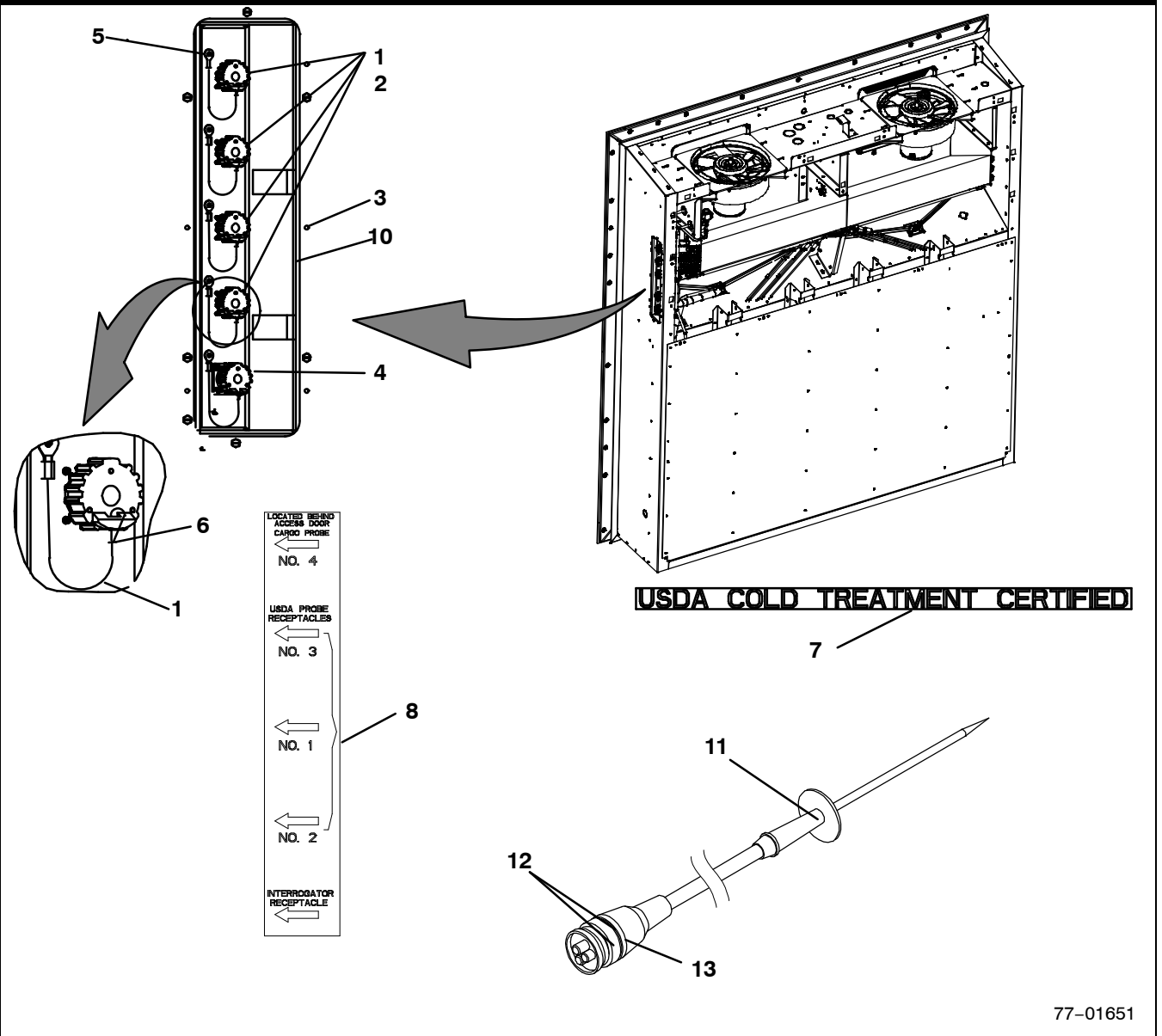


77-01517

Item	Part Number	Description	Qty
1	66U1-5371-7	Screw, Machine Hex Head #10-24 X .500	4
2	AT39JA171	Nut, Hex 43834	2
3	AU27JR171	Washer, Lock 1/4 Ext Tooth	2
4	22-01556-00	Connector	1
5	66U1-5321-8	Washer, Plain #10 Type A	2
6	69NT35-2692-4	Washer, Fender #10-.743-.765 OD	2
7	58-00079-01	Sta-Strap	4

77-01517-00

1.29 USDA

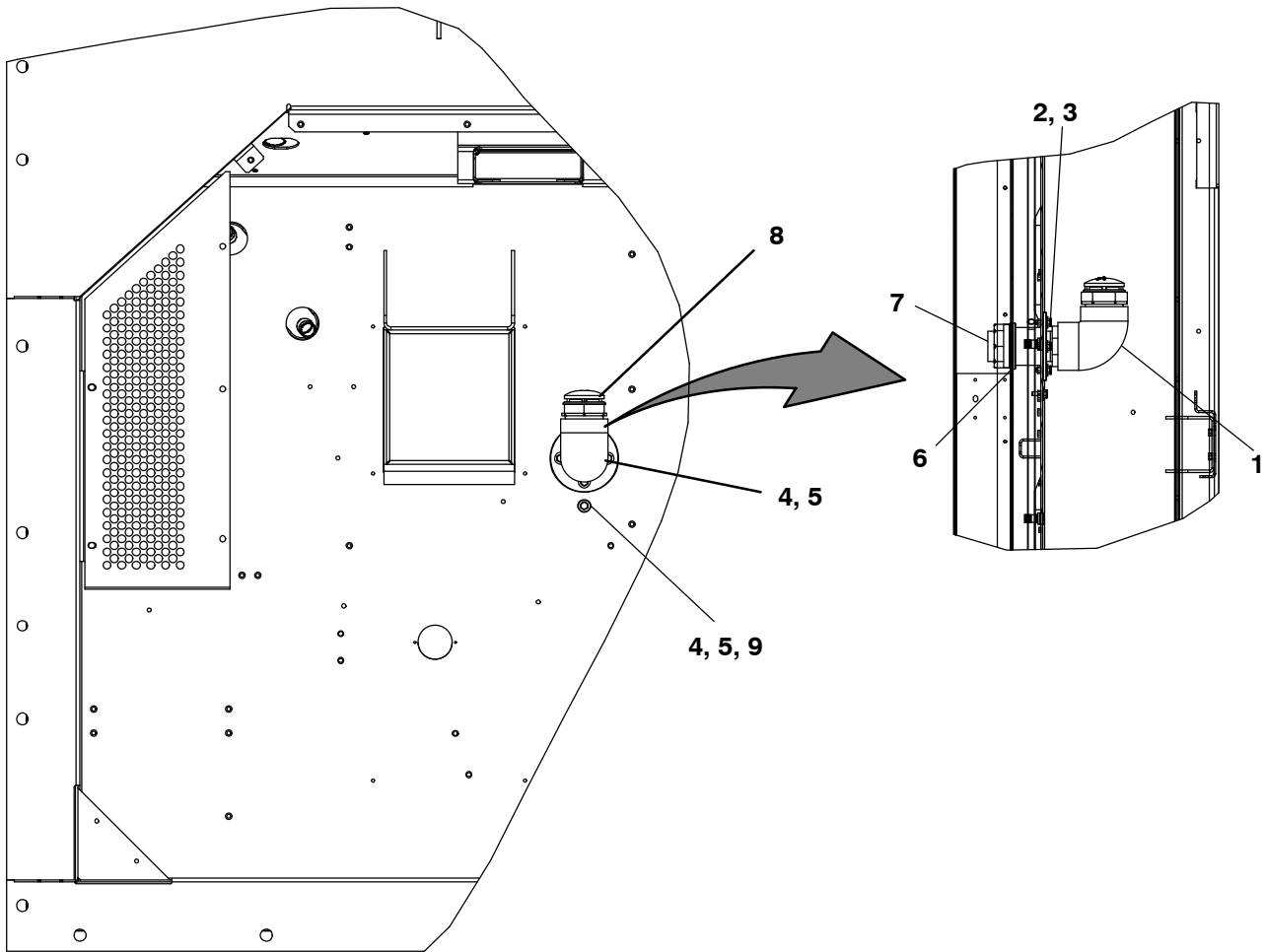


77-01651

Item	Part Number	Description	Qty
1	69NT35-636-1	Tether Assembly	5
2	22-01660-02	Cap, Dust, (3-Pin Receptacle)	4
3	66U1-5371-7	Screw, Machine, Hex Head, #10-24 X 0.500 Slotted	6
4	22-01660-05	Cap, Dust (5-Pin Receptacle)	1
5	34-06142-00	Rivet, 0.110 Inch Diameter, 0.126-0.250	25
6	22-02205-00	Connector Splice, Non-Insulated	5
7	62-11275-00	Label, USDA Cold Treatment Certified	1
8	62-11729-00	Label, USDA	1
9	66U1-3882	Wire Tie, 1/16-1-3/4, Self-Locking	4
10	68-17023-00	Panel	1
USDA PROBE KIT			
11	12-50089-00	Sensor Assembly, 600 Inches Long (15M) (USDA Probe) - Includes:	A/R
12	22-50127-00	Plug, Socket (PR1, PR2, PR3, Cargo Probe 4)	1
13	22-01613-15	Contact, Socket, #16	A/R

77-01651-00

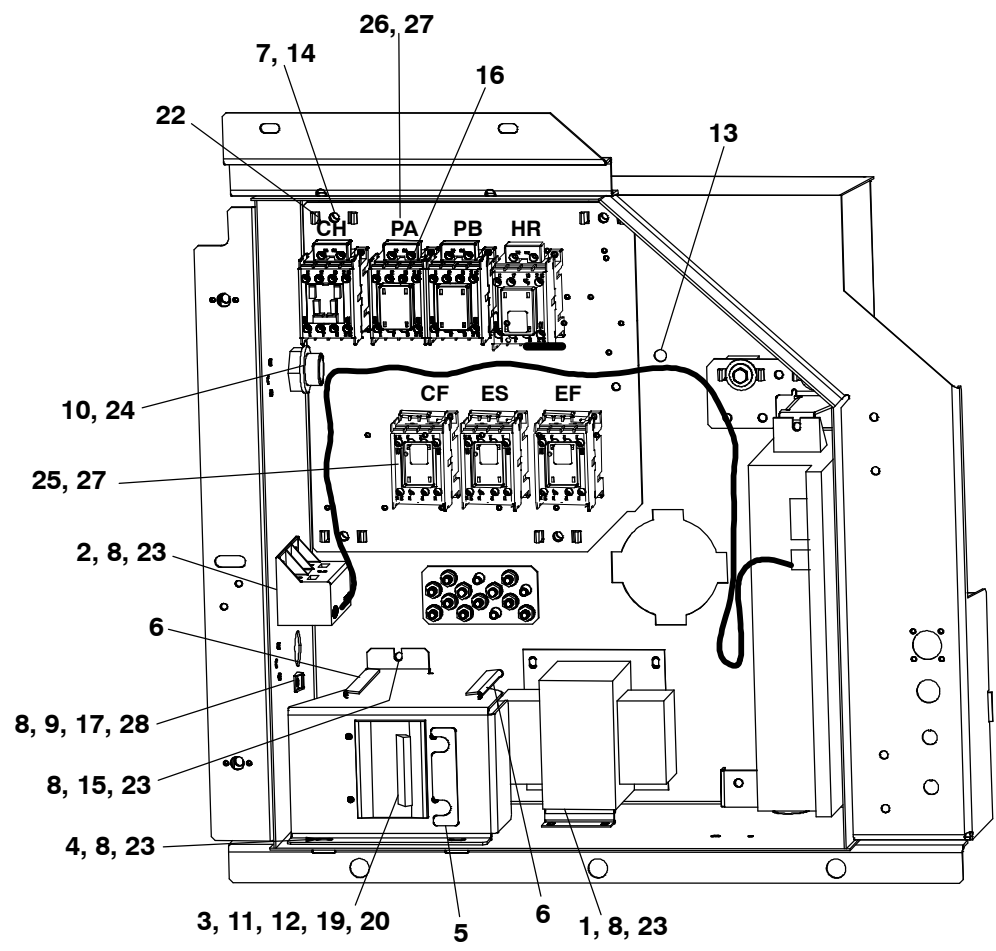
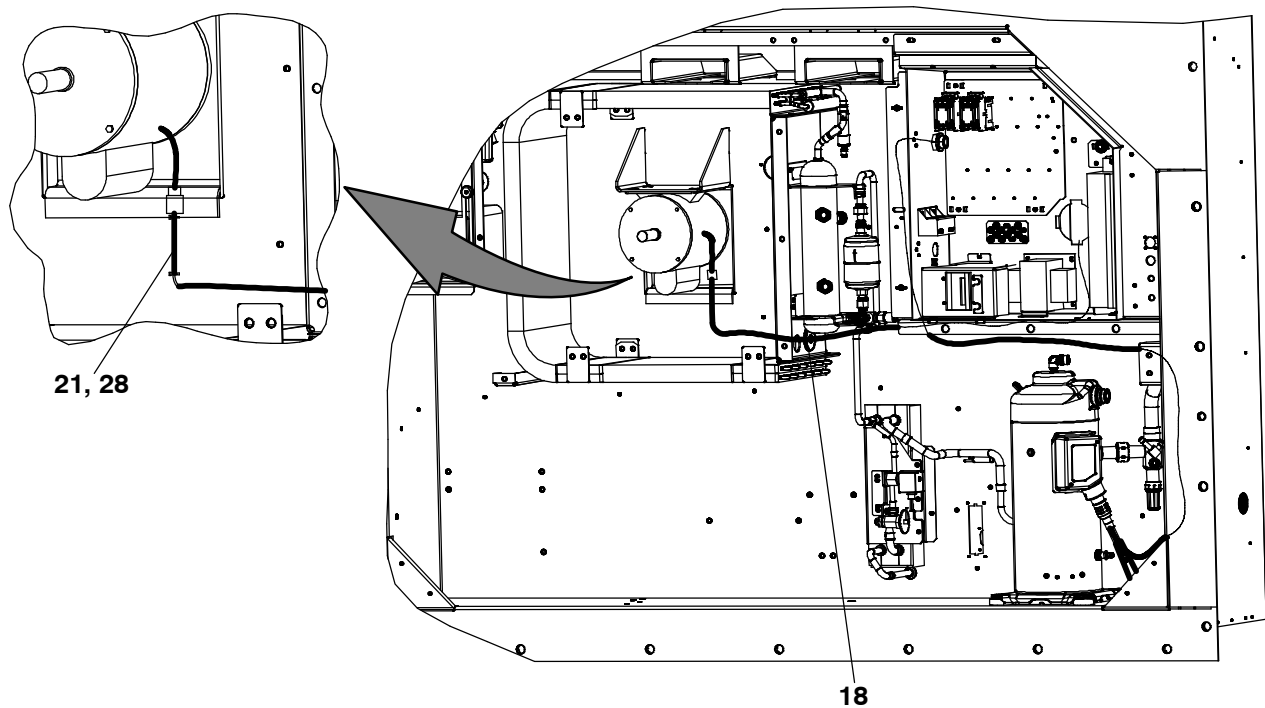
1.30 VACUUM RELIEF VALVE



77-01742

Item	Part Number	Description	Qty
1	58-04127-06	Elbow, Schedule 80	1
2	58-04127-00	Tube, Flanged, Plastic	1
3	58-04127-07	Collar	1
4	66U1-5321-7	Washer, Plain, 1/4	A/R
5	66U1-5361-25	Screw, Hex Head, 1/4-20 X 0.75	A/R
6	58-00065-72	Grommet	1
7	58-04127-05	Coupling, Schedule 80	1
8	40-66615-00	Vacuum Relief Valve	1
9	34-06053-00	Washer, Plain, 0.25 ID X 0.80 OD	8

1.31 WIRING KIT



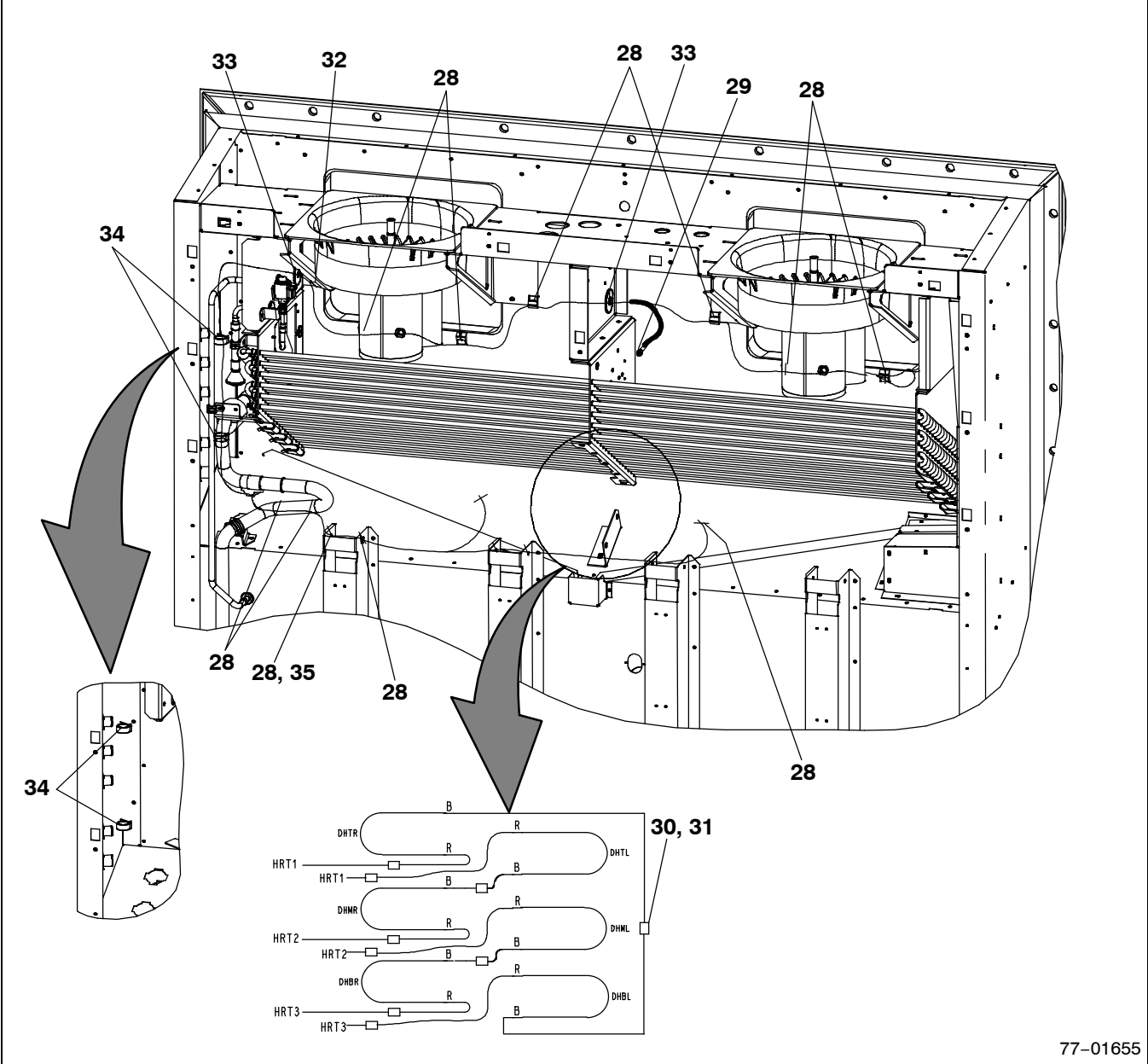
77-01655

1.31 WIRING KIT (Continued)

Item	Part Number	Description	Qty
1	10-00332-21SV	Transformer	1
2	10-00439-01	Transformer, Current Sensing	1
3	66U1-7842-12	Circuit Breaker 3 Pole, 600 Volt	1
4	68-17405-00	Bracket	1
5	69NT35-9073-1	Label CB1	1
6	66CH1-1172-28	Trim, Flexible 6.00 Long	2
7	34-00655-08	Screw, Cap Hex Head 1/4-20 X 1.00	4
8	66U1-5371-7	Screw, Machine Hex Head #10-24 X 0.500	12
9	34-00663-09	Washer, Lock #10 Spring	1
10	66U1-7352-3	Connector Straight	1
11	66U1-6651-19	Screw, Machine Pan Head #6-32	4
12	34-00663-07	Washer, Lock #6 Spring	4
13	34-00655-04	Screw, Cap Hex Head 1/4-20 X 0.50	1
14	66U1-5321-7	Washer, Plain 1/4 W Type A	4
15	34-06053-14	Washer	1
16	10-00431-11	Cover Contactor	2
17	58-04246-00	Ty-Rap Base	1
18	58-00065-93	Grommet	1
19	66U1-7842-6	Nut, Hex	6
20	66U1-7842-7	Washer, Flat #10-32	12
21	58-00848-12	Tube, Slit 1/2 ID X 27 Lg Corr	1
22	58-00967-00	Spacer Locking (Sub-panel)	4
23	66U1-5321-8	Washer, Plain #10 Type A	11
24	66U1-1251-2	O-Ring 3/4 Hub Sealing	1
25	10-00431-00	Contacto 12 Amp (HR, CF, ES, EF)	4
26	10-00431-01	Contacto 30 Amp (PA, PB, CH)	3
27	10-00431-08	Contacto Cover	7

77-01655-00

1.31 WIRING KIT (Continued)



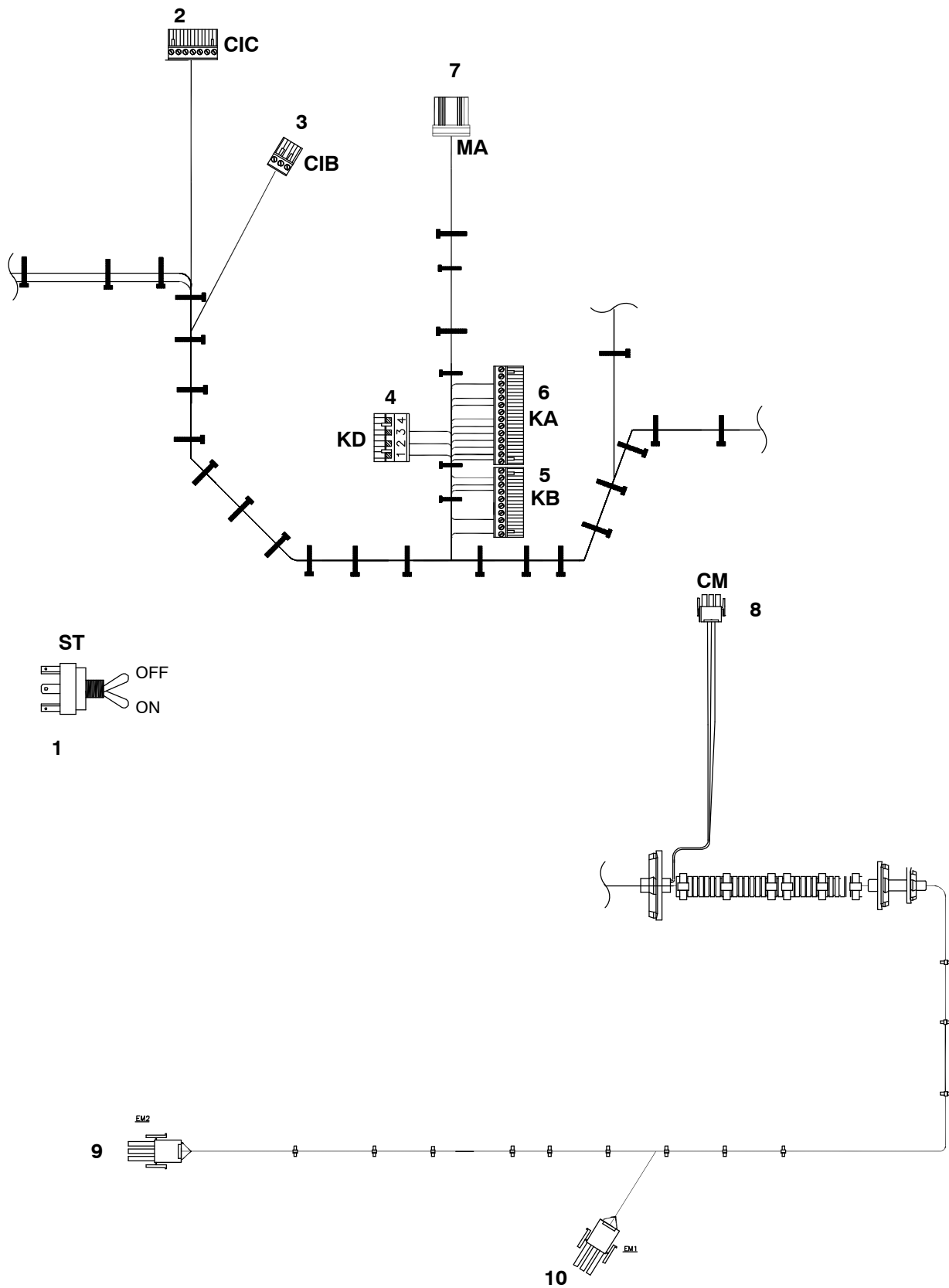
77-01655

1.31 WIRING KIT (Continued)

Item	Part Number	Description	Qty
28	66U1-3882	Wire Tie 1/16-1-3/4 Self locking	44
29	34-01178-22	Screw, Hex Head #8-32 X .50L	1
30	66U1-3803	Tube, Heat Shrink .25 X 2.12 Blk	12
31	22-01292-02	Butt Splice	12
32	66CH1-1172-2	Trim, Flexible 2.00 Lg	1
33	58-04273-00	Grommet	2
34	44-00361-00	Clip, Retaining	5
35	66CH1-1172-32	Trim, Flexible 2.25 Long	6

77-01655-00

1.32 WIRING ASSEMBLY

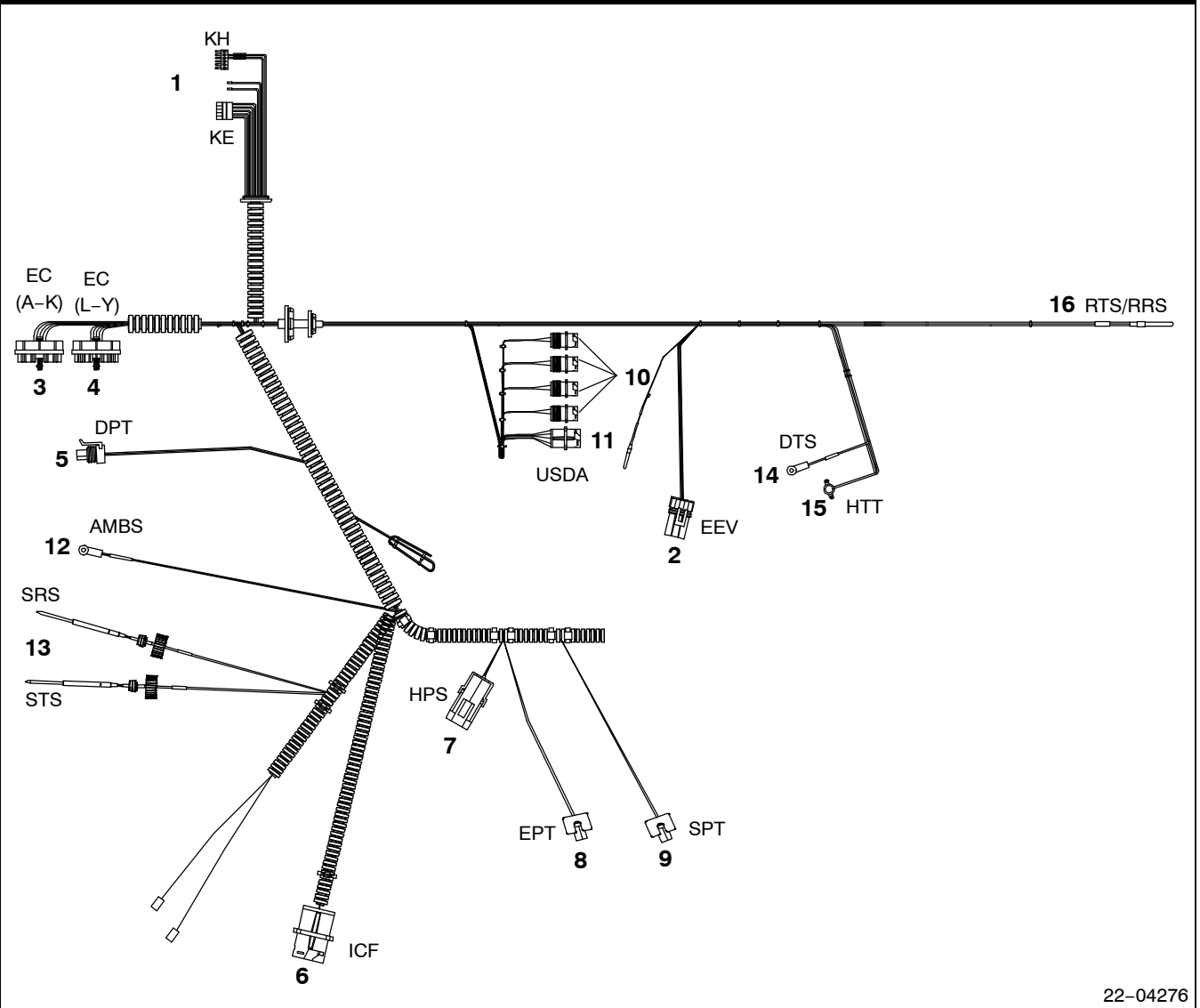


77-00438

1.32 WIRING ASSEMBLY (Continued)			
Item	Part Number	Description	Qty
1	10-01129-11	Switch, Toggle, Start/Stop (ST)	1
	91-00438-08	High Voltage Harness – Includes:	
2		CIC – Includes:	
	22-01556-06	Block	
	22-02324-09	Terminal	
3		CIB – Includes:	
	22-01556-04	Block	1
4		KD – Includes:	
	22-04031-00	Block	1
	22-04032-00	Terminal	4
5		KB – Includes:	
	22-01556-01	Block	1
	22-01735-00	Terminal	5
6		KA – Includes:	
	22-01556-02	Block	1
	22-01735-00	Terminal	10
7		MA – Includes:	
	22-01622-01	Block	1
	22-01622-03	Terminal	5
8		Condenser Fan Motor (CM) – Includes:	
	22-01997-12	Plug CM	1
	22-01997-06	Terminal	4
	22-01997-08	Sealing Plug	3
	22-01997-13	Wire Seal	1
	22-01997-14	Interface Seal	1
9		Evaporator Fan Motor 2 (EM2) – Includes:	
	22-01197-20	Plug, EM2	1
	22-01997-06	Terminal	7
	22-01997-08	Sealing Plug	3
	22-01997-21	Wire Seal	1
	22-01997-22	Interface Seal	1
10		Evaporator Fan Motor 1 (EM1) – Includes:	
	22-01997-20	Plug, EM1	1
	22-01997-06	Terminal	5
	22-01997-08	Sealing Plug	2
	22-01997-21	Wire Seal	1
	22-01997-22	Interface Seal	1

77-00438-08

1.33 HARNESS – LOW VOLTAGE



22-04276

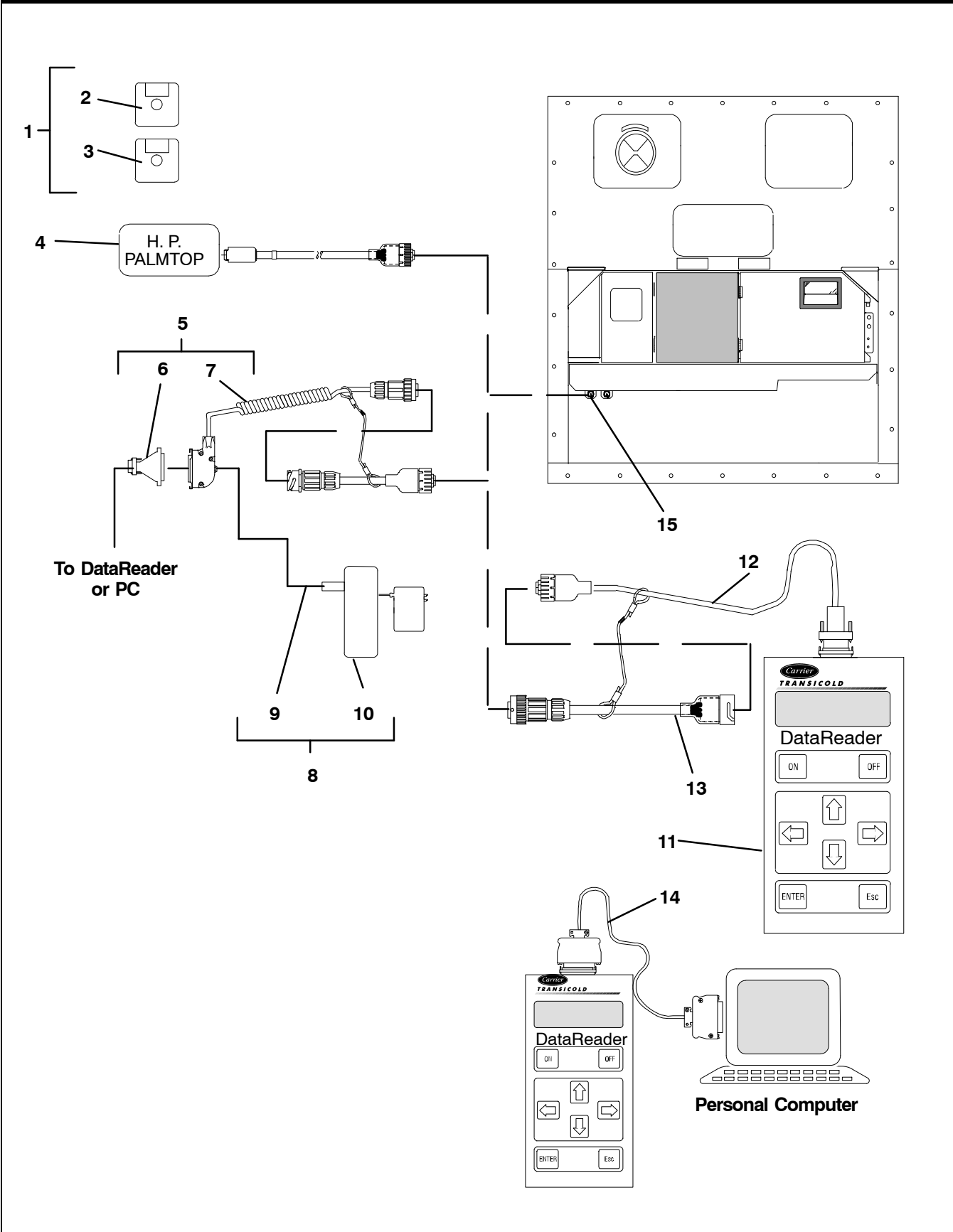
Item	Part Number	Description	Qty
	22-04276-02	Harness Low Voltage includes:	
1	22-66656-33	Harness (KH-KE-EEV) Includes	
		KH – Includes:	
	22-04016-00	Block	1
	22-01735-00	Terminal	2
		KE – Includes:	
	22-04031-01	Connector	1
	22-04032-00	Terminal	5
2		Electronic Expansion Valve (EEV) – Includes:	
	22-01835-00	Block	1
	22-01566-01	Terminal	5
	22-02394-02	Cable Seal	5

1.33 HARNESS – LOW VOLTAGE (Continued)			
Item	Part Number	Description	Qty
3		EC (A-K) – Includes:	
	22-01777-06	Seal	4
	22-01777-07	Retainer	2
	66U1-6651-24	Screw Pan Head 10-24-1.50 Inch Long SST	1
	22-01777-00	Connector	1
	22-01777-03	Terminal	21
	22-01777-02	Seal	4
4		EC(L-Y) – Includes:	
	22-01777-06	Seal	4
	22-01777-07	Retainer	2
	66U1-6651-24	Screw Pan Head 10-24-1.50 Inch Long SST	1
	22-01777-00	Connector	1
	22-01777-03	Terminal	21
5		Discharge Pressure Transducer (DPT) – Includes:	
	22-02448-00	Block	1
	22-01777-03	Terminal	3
6		ICF	
	22-01660-03	Block	1
	22-01613-14	Terminal	5
7		High Pressure Switch (HPS) – Includes:	
	22-02392-00	Block	1
	22-02393-01	Terminal	2
	22-02394-00	Seal	2
8		Evaporator Pressure Transducer (EPT) – Includes:	
	22-01944-00	Block	1
	22-01944-10	Gasket	1
	22-01944-05	Cap	1
	22-01777-03	Terminal	3
9		Suction Pressure Transducer (SPT) – Includes:	
	22-01944-00	Block	1
	22-01944-10	Gasket	1
	22-01944-05	Cap	1
	22-01777-03	Terminal	3
10		USDA – Includes:	
	22-01660-00	Connector	4
	22-01613-12	Terminal	8
	22-01614-06	Plug	4
11		USDA – Includes:	
	22-01660-03	Connector	1
	22-01613-12	Terminal	5
12	12-00495-00	Thermistor, Ambient (AMBS)	1
13	12-00395-02	Thermistor, Supply Recorder Sensor (SRS) / Supply Temp Sensor (STS)	2
14	12-00495-01	Thermistor, Defrost (DTS)	1
15	12-00170-08	Thermistor, Evaporator Defrost (HTT)	1
16	12-00500-00	Thermistor, Combo/Return (RTS/RRS)	1

22-04276-02

2 INTERROGATOR ACCESSORIES

2.1 DATALINE/DATAREADER



2.1 DATALINE/DATAREADER (Continued)

Item	Part Number	Description	Qty
1	07-00406-00	Disk Kit, DataLine (SEE NOTE) – Includes:	1
2	12-00413-05SV	Software, DataLine NSS	1
3	12-00528-00	Software, DataLine (Scroll) NSS	1
4	22-01737-02	Cable, H. P. PalmTop	1
5	76-50059-00	Kit, Cable, With Adapter – Includes:	1
6	22-02418-02	Cable, Interrogator	1
7	22-02420-00	Adapter	1
8	76-50058-00	Kit, Battery, With Cable – Includes:	1
9	NSS	Battery, External, With Battery Charger	1
10	22-02401-00	Cable	1
11	No Longer Offered	DataReader	–
12	22-01737-00	Cable, Download	1
13	22-01737-01	Cable, Adapter	1
14	22-01743-00	Cable, Upload	1
15	–	Receptacle	–

3 TOOLS	
PART NO.	DESCRIPTION
07-00176-11	Vacuum Pump, Dual Voltage/Dual Frequency
07-00375-00	Stepper Motor Drive Tester
07-00408-00	Stepper Jumper Assembly
07-00462-00	Temperature Tester, 4-Lead
07-00477-00	Inspection Mirror
07-00228-00	Multimeter, Digital
07-00229-00	Amprobe Clamp (Used with 07-00228-00)
07-00238-00	Wrench, Service Valve
07-00243-10	Multimeter, Digital (Fluke)
07-00277-00	Kit, Static Dissipative (Used for Working on Electronic Components)
07-00304-00	Ground Strap, Wrist (Used for Working on Electronic Components)
07-00294-00	Gauge Set, Manifold - Fahrenheit/PSI
07-00294-05	Gauge Set, Manifold - Centigrade/KPa
07-00295-00	Detector, Leak
07-00397-03	Extractor, Pin (Used on Fan Motor Plugs and Interrogator Plugs)
07-00397-02	Crimper, Pin (Used on Fan Motor Plugs and Interrogator Plugs)
07-00329-00	Extractor, Pin (Used on Controller Module Connectors)
07-00330-00	Crimper, Pin (Used on Controller Module Connectors)
07-00391-00	Application Gun (Used with 07-00390-00)
07-00398-00	Software Card Programmer
07-00409-00	1-1/8 Inch, 3/8 Inch Drive, Used on Economizer Valve
07-00410-00	1-3/8 Inch, 3/8 Inch Drive, Used on Suction/Discharge Valve
07-00418-00	Torx Driver Bit
07-00512-00	Magnet Tool, Used to Open Valves
Refer to Manual 62-03213	

PART NAME INDEX

PART NO.	PAGE NO.	PART NO.	PAGE NO.	PART NO.	PAGE NO.
A		Controller/DataCORDER Module	38	M	
AA06JA170	45			MS510074	59
AT39JA171	13, 60	D		T	
AU27JR131	40, 42, 56	Defrost Heater	48	Transducer Service (EPT) (SPT)	23
AU27JR171	13, 34, 45 46, 47, 60	Display Module	40	Transducer DPT	24
		Door Control Box	42	Transducer SPT EPT	24
B		E		Transformer	64
Battery Real Time Clock	38	EC39DM070	24	Transformer Kit	45, 46, 47
		Evaporator Coil Assembly	52	Transformer Current Sensing	64
C		Evaporator Fan	50		
Circuit Breaker 3 Pole 600 Volt	64	Evaporator Motor	50	U	
Coil Kit Solenoid (DUV)	23	F		Upper Air Panel Assembly	7
Coil EEV	52	Fan Deck	5	Upper VPS Sensor	7
Coil ESV	29	Fan Deck Assembly	55	USDA Sensor Assembly	61
Compressor Scroll	22	Filter Drier	29		
Condenser Coil Assembly	26	H		V	
Condenser Fan Assembly	32	Heat Exchanger	30	Vacuum Relief Valve	62
Condenser Fan Motor	32	High Pressure Switch	24	Valve Body Solenoid	ESV 29
Condenser Grille	32	Humidity Sensor	56	Valve EEV	52
Contactactor 12 Amp	64	K		Valve Service	24
Contactactor 30 Amp	64	Key Pad Assembly	40, 42		
Control Box	13				
Control Box Door Assembly	40				

PART NUMBER INDEX

PART NO.	PAGE NO.	PART NO.	PAGE NO.	PART NO.	PAGE NO.
0		10-01129-11	38, 68	14-00435-01	52
07-00176-11	73	10-01129-12	38	14-01032-14	29
07-00228-00	73	10-01129-20	59	14-01090-12	29
07-00229-00	73	12-00170-08	70	14-01091-05	29
07-00238-00	73	12-00309-05	24	14-01091-20	30
07-00243-10	73	12-00352-00	24	14-01091-21	30
07-00277-00	73	12-00395-02	70	14-01091-22	30
07-00294-00	73	12-00413-05SV	72	18-10136-22	22
07-00294-05	73	12-00433-03RP	42	18-10136-30	22
07-00295-00	73	12-00433-05	40		
07-00304-00	73	12-00474-01	47	2	
07-00329-00	73	12-00495-00	70	22-00119-03	17
07-00330-00	73	12-00495-01	70	22-00119-04	17
07-00375-00	73	12-00500-00	70	22-01197-20	68
07-00391-00	73	12-00528-00	72	22-01292-02	66
07-00397-02	73	12-00594	38	22-01556-00	60
07-00397-03	73	12-00603-02	7	22-01556-01	68
07-00398-00	73	12-00615	38	22-01556-02	68
07-00406-00	72	12-00686-00	56	22-01556-04	68
07-00408-00	73	12-50089-00	61	22-01556-06	68
07-00409-00	73	12-55009	38	22-01566-01	69
07-00410-00	73	14-00176-01	52	22-01602-02	15
07-00418-00	73	14-00220-04	29	22-01602-03	15
07-00462-00	73	14-00221-04	29	22-01604-00	59
07-00477-00	73	14-00222-02	29	22-01613-06	56
07-00512-00	73	14-00232-31	29	22-01613-07	56
09-00375-00	38	14-00284-20	29	22-01613-10	7
		14-00341-07	29	22-01613-11	7
1		14-00341-11	29	22-01613-12	70
10-00083-06	46, 47	14-00361-01	23	22-01613-13	7, 56
10-00083-07	46, 47	14-00361-10	23	22-01613-14	70
10-00083-08	46, 47	14-00361-11	23	22-01613-15	61
10-00332-21SV	64	14-00361-12	23	22-01614-06	70
10-00431-00	64	14-00361-13	23	22-01622-01	68
10-00431-01	64	14-00361-14	23	22-01622-03	68
10-00431-08	64	14-00361-15	24	22-01660-00	70
10-00431-11	64	14-00361-16	23	22-01660-02	61
10-00439-01	64	14-00393-00	52	22-01660-03	70
10-01129-05	38	14-00393-10	52	22-01660-05	57, 61
		14-00435-00	52		

PART NUMBER INDEX

22-01660-08	7	22-02394-02	69	34-00667-12	32, 45, 46, 47
22-01679-00	45, 46, 47	22-02401-00	72	34-00792-07	5
22-01713-46	23	22-02418-02	72	34-00795-09	24, 45
22-01713-49	40, 42	22-02420-00	72	34-00795-17	50
22-01733-01	15	22-02448-00	70	34-00848-10	59
22-01735-00	68, 69	22-04016-00	69	34-00928-01	13
22-01737-00	72	22-04031-00	68	34-00928-02	45, 46
22-01737-01	72	22-04031-01	69	34-00928-04	36
22-01737-02	72	22-04032-00	68, 69	34-00928-07	5, 55
22-01743-00	72	22-04128-10	22	34-00928-09	5, 11, 52, 55
22-01777-00	70	22-04276-02	69	34-00928-13	21
22-01777-02	70	22-50127-00	61	34-00928-20	5, 7, 11, 15, 36, 40
22-01777-03	70	22-66651-10	17	34-01142-01	13
22-01777-06	70	22-66651-12	17	34-01150-03	11
22-01777-07	70	22-66656-33	69	34-01150-06	11
22-01778-00	45	22-66681-00	7	34-01150-30	11
22-01835-00	69	24-66603-00	48	34-01150-31	11
22-01879-50	17			34-01167-01	21
22-01944-00	70	3		34-01178-22	34, 66
22-01944-05	70	30-00407-02SV	38	34-01178-23	34
22-01944-10	70	34-00373-07	29	34-01181-01	32, 45, 46, 47
22-01997-06	68	34-00373-51	24	34-06051-32	56
22-01997-08	68	34-00373-52	52	34-06053-00	5, 15, 19, 24, 26, 36, 42, 45, 62
22-01997-12	68	34-00373-53	24	34-06053-02	29, 32, 45, 46, 47
22-01997-13	68	34-00373-54	29	34-06053-03	13, 21, 36
22-01997-14	68	34-00616-06	50	34-06053-05	19, 21, 24, 29, 40, 42, 45, 46, 47, 57
22-01997-20	68	34-00655-04	11, 26, 64	34-06053-10	45, 46, 47
22-01997-21	68	34-00655-08	7, 50, 64	34-06053-13	7, 9
22-01997-22	68	34-00655-10	13, 48, 55	34-06053-14	64
22-02205-00	57, 61	34-00655-12	48	34-06053-15	5
22-02319-05	45, 46, 47	34-00655-18	24	34-06053-18	5
22-02319-06	45, 46, 47	34-00662-13	26	34-06053-19	7
22-02324-01	17	34-00663-07	64	34-06053-20	22
22-02324-09	68	34-00663-08	40	34-06107-00	40, 42
22-02336-02	38	34-00663-09	22, 64		
22-02336-08	38	34-00663-11	48, 50, 52		
22-02341-01	59	34-00667-05	59		
22-02378-00	17	34-00667-09	13		
22-02392-00	70	34-00667-11	13, 19, 29, 45, 46, 47		
22-02393-01	70				
22-02394-00	70				

PART NUMBER INDEX

34-06136-01	19, 45, 46, 47	40-66620-01	29	42-00771-01	26, 29
34-06136-02	45, 46, 47	40-66625-38	29	42-00771-02	26, 29
34-06139-00	40	40-66628-03	52	42-00771-03	26, 29
34-06139-01	40	40-66629-00	52	44-00285-54	24
34-06139-04	40	42-00032-00	30	44-00300-04	40
34-06142-00	57, 61	42-00032-13	29	44-00361-00	34, 66
34-06154-00	7, 9	42-00065-01	5	44-00370-03	29, 52
34-06154-03	15	42-00174-110	11	44-00370-08	52
34-06165-08	50	42-00174-111	11	44-00391-00	40, 42
34-06169-00	42	42-00174-116	11	44-00401-00	21
34-06185-01	7	42-00174-117	11	44-00409-00	21
34-06212-12	7, 9	42-00174-118	11	44-00473-00	40
34-06221-00	47	42-00174-119	11	44-00477-00	42
34-06236-00	22	42-00174-120	11	44-01041-04	34
34-06269-12	52	42-00174-121	11	44-66605-00	40
34-06277-02	22	42-00174-34	11	44-66608-00	55
34-06295-00	24	42-00183-08	52	44-66608-01	55
34-06357-00	32	42-00243-04	30	48-00413-01	50
34-66621-04	40	42-00243-12	24	48-66611-00	40
34-66622-05	7	42-00296-01	7, 9		
34-66638-00	30	42-00327-00	7, 9	5	
38-00599-00	50	42-00328-00	45, 46, 47	54-00648-20	50
38-00620-01	32	42-00334-00	11	54-00655-20	32
		42-00366-00	45	56-07257-11	23
4		42-00389-03	29	56-07911-00	29
40-00520-01	29	42-00390-03	29	56-08627-00	30
40-00520-02	24	42-00407-00	7	56-08667-00	30
40-00520-03	24	42-00425-109	52	56-08689-00	23
40-00542-00	24	42-00425-112	24	56-09063-00	24
40-00542-01	24	42-00425-130	24	56-09064-00	29
40-00583-05	24	42-00425-131	24	56-09065-00	55
40-00583-20	24	42-00425-139	30	56-09087-00	52
40-00663-00	24	42-00425-69	30	56-09141-00	52
40-00665-04	24	42-00425-78	30	56-09149-00	26
40-00665-21	24	42-00425-93	30	56-09160-00	52
40-00667-00	30	42-00471-01	47	56-09161-00	24
40-00668-00	30	42-00570-00	55	56-09162-00	24
40-00675-00	23	42-00667-28	30	56-09163-00	30
40-01124-00	24	42-00667-32	30	56-09164-00	30
40-66615-00	62	42-00741-00	40, 42	56-09195-00	52
		42-00771-00	26, 29		

PART NUMBER INDEX

56-66738-00	30	58-04321-24	34	62-11729-00	61
58-00065-46	52	58-04366-00	40, 42	62-11731-00	59
58-00065-56	52	58-04376-05	7	62-11731-01	59
58-00065-72	62	58-04378-01	9	62-11735-04	58
58-00065-91	52	58-04480-00	5	62-11739-00	58
58-00065-93	64	58-04539-10	43	62-11739-03	58
58-00065-95	24	58-04539-11	43	62-11750-00	52
58-00079-01	60	58-04539-12	43	62-66081-00	58
58-00616-00	15	58-04539-13	43	62-66682-01	58
58-00701-03	13	58-04680-00	13	62-66723-00	7
58-00836-19	29	58-04770-00	50	66CH1-1172-2	7, 66
58-00848-12	64	58-04791-01	22	66CH1-1172-28	64
58-00967-00	13, 64	58-04821-00	22	66CH1-1172-32	66
58-00969-00	7, 34	58-04910-00	26	66U1-1251-2	19, 64
58-01097-00	57	58-04910-01	26	66U1-1571-14	15
58-01184-00	38	58-04910-02	26, 29	66U1-1571-3	30
58-04001-01	21	58-04910-04	29	66U1-2403	11, 21, 40
58-04001-02	21	58-04910-05	29	66U1-2403-1	40, 42
58-04026-07	19, 45	58-04910-06	5	66U1-2552-185	50
58-04026-108	26, 29	58-04910-07	5	66U1-2583	17
58-04026-17	45, 46, 47	58-04954-00	40, 42	66U1-2593-4	11
58-04026-23	26, 29	58-04960-00	40, 42	66U1-2603	21
58-04026-25	45, 46, 47	58-04968-00	55	66U1-3632-20	24
58-04026-32	13	58-04980-00SV	32	66U1-3803	23, 24, 30 34, 66
58-04026-59	29	58-04990-00	55	66U1-3882	19, 22, 29 34, 40, 42 56, 57, 61 66
58-04026-74	40	58-66646-00	7	66U1-3882-3	24, 30, 52
58-04101-00	40, 42			66U1-5321-13	7
58-04101-02	40, 42	6		66U1-5321-2	30, 40
58-04127-00	62	62-02719-00	38	66U1-5321-3	5, 11, 13 26, 45, 46 47, 48, 50 52, 55
58-04127-05	62	62-02723-21	58	66U1-5321-5	11
58-04127-06	62	62-03957-04	40	66U1-5321-6	59
58-04127-07	62	62-10911-00	13	66U1-5321-7	5, 13, 15 19, 21, 24 26, 36, 45 56, 62, 64
58-04202-02	43	62-10930-00	7	66U1-5321-8	13, 19, 21 29, 36, 40 42, 45, 46
58-04246-00	22, 64	62-11114-00	36		
58-04273-00	36, 66	62-11252-00	58		
58-04276-00	36	62-11263-02	58		
58-04279-00	36	62-11264-01	58		
58-04290-01	15	62-11270-14	36		
58-04302-01	15	62-11275-00	61		
58-04315-00	34	62-11424-00	58		
58-04316-00	19, 34, 42 43	62-11602-00	50		

PART NUMBER INDEX

	47, 56, 57 60, 64	68-12933-07	7	68-17188-00	5, 55
		68-12940-05	7	68-17190-00	52
66U1-5331	5	68-13181-01	56	68-17196-00	26
66U1-5331-3	21	68-13707-02	21	68-17200-00	5
66U1-5331-4	30	68-13832-00	45	68-17201-00	55
66U1-5361	32	68-13961-00	46, 47	68-17228-00	40
66U1-5361-11	19	68-14278-00	29	68-17290-00	29
66U1-5361-25	5, 19, 21 26, 32, 34 45, 52, 55 62	68-14456-01	19	68-17293-00	11
		68-14456-02	45	68-17298-00	40
		68-14815-00	7	68-17316-00	13
66U1-5361-7	26	68-14903-00	7	68-17337-00	11
66U1-5362-2	7	68-15477-02	29	68-17344-00	5
66U1-5371	30	68-15478-02	29	68-17345-00	55
66U1-5371-10	24, 56	68-15532-00	24	68-17361-00	11
66U1-5371-6	19, 22, 24 29, 34, 40 42, 45, 46 47, 52	68-15997-00	24	68-17361-01	11
		68-15998-00	24	68-17405-00	64
		68-16521-00	5	68-17419-00	55
66U1-5371-7	13, 29, 36 38, 40, 42 45, 46, 47 52, 56, 57 60, 61, 64	68-16695-00	5	68-17419-01	55
		68-16696-00	55	68-17461-00	40
		68-16697-00	5	68-17484-00	11
		68-16715-00	52	68-17526-00	21
66U1-5381-1	52	68-16735-00	42	68-17964-06	11
66U1-5381-3	52	68-16767-00	55	68-18027-01	11
66U1-5562-12	15	68-16823-00	29	68-86230-00	13
66U1-5562-2	7, 9 15	68-16864-00	29	68-86254-00	19
66U1-5562-7	13	68-16891-00	55	68-86255-00	21
66U1-6651-19	64	68-16892-00	52	68-86256-00	19
66U1-6651-2	40	68-16893-00	52	69NT-35-2692	11
66U1-6651-22	40	68-16894-00	48	69NT-35-3282	11
66U1-6651-24	70	68-17021-00	57	69NT-35-3907	56
66U1-6782	17	68-17023-00	61	69NT35-1076	46, 47
66U1-6811-12	42	68-17037-00	5	69NT35-1076-1	46, 47
66U1-7352-3	19, 64	68-17037-01	5	69NT35-2086	45, 46, 47
66U1-7842-12	64	68-17044-00	5	69NT35-2692	38
66U1-7842-6	64	68-17044-01	5	69NT35-2692-1	32, 36, 48 50, 55
66U1-7842-7	64	68-17089-00	52	69NT35-2692-4	60
66U1-9592-13	13	68-17118-00	5	69NT35-3452	32
66U1-9752	59	68-17129-02	5	69NT35-3452-1	32
66U2-1531-1	46, 47	68-17145-00	55	69NT35-5992	21
66U2-1531-3	45, 46, 47	68-17175-00	11	69NT35-6112	32
68-04910-08	13	68-17185-00	26		
68-11989-00	9				

PART NUMBER INDEX

69NT35-636-1	61	76-00816-00	23, 24	8		
69NT35-636-6	40	76-50058-00	72	81-04186-20	52	
69NT35-8113	5	76-50059-00	72	81-04202-00	30	
69NT35-8258	15	76-50149-00	38	81-04203-20	26	
69NT35-9073-1	64	76-66615-00	7	81-04212-00	24	
69NT40-657-4	5	79-01697-06SV	9	86-04956-00	48	
69NT40-914-4	45, 46, 47	79-04018-00	42	86-04987-00	42	
69NT41-892	45, 46, 47	79-04018-01	40	86-04987-01	40	
69NT43-270	46	79-04045-00	11	86-04994-00	29	
69NT43-270-1	45	79-04045-01	11	86-05003-00	13	
69NT43-270-2	47	79-04046-00	40	86-05077-00	11	
69NT43-282	45, 46, 47	79-04047-00	40	86-05078-00	5	
69NT43-295	50	79-04049-01	29	9		
69NT43-374	45, 46	79-04051-00	24	91-00438-08	68	
69NT43-374-1	47	79-04055-00	29	99TS0322CK001400	30	
			79-04071-00	21	99TS0835CK002000	30
			79-04071-01	21		
			79-66626-00	7		
			79-66669-00	40, 42		
			79-66703-00	7		
7						
76-00667-03	46					
76-00667-04	45					
76-00667-12	47					



A member of the United Technologies Corporation family.
Stock symbol UTX



**United
Technologies**

Climate | Controls | Security

Carrier Transicold Division,
Carrier Corporation
P.O. Box 4805
Syracuse, N.Y. 13221 U.S.A

www.carrier.transicold.com